



MIAMI-DADE COUNTY  
**PRODUCT CONTROL SECTION**  
 11805 SW 26 Street, Room 208  
 Miami, Florida 33175-2474  
 T (786) 315-2590 F (786) 315-2599  
[www.miamidade.gov/building](http://www.miamidade.gov/building)

DEPARTMENT OF REGULATORY AND ECONOMIC RESOURCES (RER)  
 BOARD AND CODE ADMINISTRATION DIVISION  
**NOTICE OF ACCEPTANCE (NOA)**

**Lawson Industries, Inc.**  
**8501 NW 90 Street**  
**Medley, FL 33166**

**SCOPE:**

This NOA is being issued under the applicable rules and regulations governing the use of construction materials. The documentation submitted has been reviewed and accepted by Miami-Dade County RER - Product Control Section to be used in Miami Dade County and other areas where allowed by the Authority Having Jurisdiction (AHJ).

This NOA shall not be valid after the expiration date stated below. The Miami-Dade County Product Control Section (In Miami-Dade County) and/ or the AHJ (in areas other than Miami-Dade County) reserve the right to have this product or material tested for quality assurance purposes. If this product or material fails to perform in the accepted manner, the manufacturer will incur the expense of such testing and the AHJ may immediately revoke, modify, or suspend the use of such product or material within their jurisdiction. RER reserves the right to revoke this acceptance if it is determined by Miami-Dade County Product Control Section that this product or material fails to meet the requirements of the applicable building code.

This product is approved as described herein and has been designed to comply with the Florida Building Code, including the High Velocity Hurricane Zone.

**DESCRIPTION: Series “3200” Outswing Aluminum Casement Window – L.M.I.**

**APPROVAL DOCUMENT:** Drawing No. **L3200-0801**, titled “Series: 3200 Outswing Impact Casement Window”, sheets 1 through 7 of 7, dated 07/27/08, with revision **G** dated 09/29/23, prepared by manufacturer, signed and sealed by Thomas J. Sotos, P.E., bearing the Miami-Dade County Product Control Renewal stamp with the Notice of Acceptance number and expiration date by the Miami-Dade County Product Control Section.

**MISSILE IMPACT RATING: Large and Small Missile Impact Resistant**

**LABELING:** Each unit shall bear a permanent label with the manufacturer's name or logo, city, state, series, and following statement: "Miami-Dade County Product Control Approved", unless otherwise noted herein.

**RENEWAL** of this NOA shall be considered after a renewal application has been filed and there has been no change in the applicable building code negatively affecting the performance of this product.

**TERMINATION** of this NOA will occur after the expiration date or if there has been a revision or change in the materials, use, and/ or manufacture of the product or process. Misuse of this NOA as an endorsement of any product, for sales, advertising or any other purposes shall automatically terminate this NOA. Failure to comply with any section of this NOA shall be cause for termination and removal of NOA.

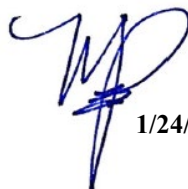
**ADVERTISEMENT:** The NOA number preceded by the words Miami-Dade County, Florida, and followed by the expiration date may be displayed in advertising literature. If any portion of the NOA is displayed, then it shall be done in its entirety.

**INSPECTION:** A copy of this entire NOA shall be provided to the user by the manufacturer or its distributors and shall be available for inspection at the job site at the request of the Building Official.

This NOA **renews NOA No. 23-1010.05** and consists of this page 1 and evidence pages E-1, E-2 and E-3, as well as approval document mentioned above.

The submitted documentation was reviewed by **Manuel Perez, P.E.**



  
 1/24/24

NOA No. 24-0116.04  
 Expiration Date: March 04, 2029  
 Approval Date: February 01, 2024  
 Page 1

**Lawson Industries, Inc.**

**NOTICE OF ACCEPTANCE: EVIDENCE SUBMITTED**


**1. EVIDENCE SUBMITTED UNDER PREVIOUS NOA's**

**A. DRAWINGS**

1. Manufacturer's die drawings and sections.  
*(Submitted under NOA No. 08-1020.08)*
2. Drawing No. **L3200-0801**, titled "Series: 3200 Outswing Impact Casement Window", sheets 1 through 7 of 7, dated 07/27/08, with revision **G** dated 09/29/23, prepared by manufacturer, signed and sealed by Thomas J. Sotos, P.E.  
*(Submitted under NOA No. 23-1010.05)*

**B. TESTS**

1. Test reports on: 1) Air Infiltration Test, per FBC, TAS 202-94  
2) Uniform Static Air Pressure Test, Loading per FBC TAS 202-94  
3) Water Resistance Test, per FBC, TAS 202-94  
4) Large Missile Impact Test per FBC, TAS 201-94  
5) Cyclic Wind Pressure Loading per FBC, TAS 203-94  
6) Forced Entry Test, per FBC 2411.3.2.1, and TAS 202-94  
along with marked-up drawings and installation diagram of a series 3200 outswing aluminum casement window, prepared by Fenestration Testing Laboratory, Inc., Test Report No. **FTL-10570**, dated 02/08/19, signed and sealed by Idalmis Ortega, P.E.  
*(Submitted under NOA No.19-0227.06)*
2. Test reports on: 1) Air Infiltration Test, per FBC, TAS 202-94  
2) Uniform Static Air Pressure Test, Loading per FBC, TAS 202-94  
3) Water Resistance Test, per FBC, TAS 202-94  
4) Forced Entry Test, per FBC 2411.3.2.1, and TAS 202-94  
along with marked-up drawings and installation diagram of a series 3200 outswing aluminum casement window, X configuration, w/5/16" ann. lami glass w/PVB laminate by DuPont, Test Reports No. **HETI-08-2099A, HETI-08-2102A, HETI-08-2097A, HETI-08-2103A** and **HETI-08-2131A**, all dated 07/10/08, signed and sealed by Candido F. Font, P.E.  
*(Submitted under NOA No. 08-1020.08)*
3. Test reports on: 1) Large Missile Impact Test per FBC, TAS 201-94  
2) Cyclic Wind Pressure Loading per FBC, TAS 203-94  
along with marked-up drawings and installation diagram of a series 3200 outswing aluminum casement window, X configuration, w/5/16" ann. lami glass w/PVB laminate by DuPont, Test Reports No. **HETI-08-2099B, HETI-08-2100, HETI-08-2101, HETI-08-2102B, HETI-08-2097B, HETI-08-2103B, HETI-08-2104, HETI-08-2105, HETI-08-2106, HETI-08-2125, and HETI-08-2131B**, all dated 07/10/08, signed and sealed by Candido F. Font, P.E.  
*(Submitted under NOA No. 08-1020.08)*

  
Manuel Pérez, P.E.  
Product Control Examiner  
NOA No. 24-0116.04  
Expiration Date: March 04, 2029  
Approval Date: February 01, 2024

**Lawson Industries, Inc.**

**NOTICE OF ACCEPTANCE: EVIDENCE SUBMITTED**

**1. EVIDENCE SUBMITTED UNDER PREVIOUS NOA's (CONTINUED)**

**C. CALCULATIONS**

1. Anchor verification calculations and structural analysis, complying with FBC 6<sup>th</sup> Edition (2017), dated 03/01/19, prepared by manufacturer, signed and sealed by Thomas J. Sotos, P.E. *(Submitted under NOA No.19-0227.06)*

**D. QUALITY ASSURANCE**


1. Miami-Dade Department of Regulatory and Economic Resources (RER)

**E. MATERIAL CERTIFICATIONS**

1. Notice of Acceptance No. **22-1116.01** issued to **Kuraray America, Inc.** for their "**SentryGlas® (Clear and White) Glass Interlayers**" dated 12/15/22, expiring on 07/04/28.
2. Notice of Acceptance No. **20-0915.22** issued to **Kuraray America, Inc.** for their "**Trosifol® Ultraclear, Clear and Color PVB Glass Interlayers**" dated 11/19/20, expiring on 07/08/24.
3. Notice of Acceptance No. **21-0216.01** issued to **Eastman Chemical Company (MA)** for their "**Saflex PVB Interlayers - Clear and Colored for Glass**" dated 04/29/21, expiring on 05/21/26.

**F. STATEMENTS**

1. Statement letter of conformance, complying with **FBC 8<sup>th</sup> Edition (2023)**, dated 10/04/23, issued by the manufacturer, signed and sealed by Thomas J. Sotos, P.E. *(Submitted under NOA No.22-1010.05)*
2. Statement letter of no financial interest, dated 10/04/23, issued by the manufacturer, signed and sealed by Thomas J. Sotos, P.E. *(Submitted under NOA No.22-1010.05)*
3. Proposal No. **23-0461R** issued by Product Control Section, dated 06/13/23 and revised on 06/16/23, signed by Manuel Perez, P.E. *(Submitted under NOA No.22-1010.05)*
4. Testing Proposal issued by the Product Control Section, dated December 12, 2018, signed by Manuel Perez, P.E. *(Submitted under NOA No.19-0227.06)*
5. Laboratory compliance letter for Test Reports No.'s **HETI-08-2099A, HETI-08-2102A, HETI-08-2097A, HETI-08-2103A, HETI-08-2131A, HETI-08-2099B, HETI-08-2100, HETI-08-2101, HETI-08-2102A, HETI-08-2102B, HETI-08-2097B, HETI-08-2103B, HETI-08-2104, HETI-08-2105, HETI-08-2106, HETI-08-2125** and **HETI-08-2131B**, all dated 07/10/08, all issued by Hurricane Engineering & Testing, Inc., signed and sealed by Candido F. Font, P.E. *(Submitted under NOA No. 08-1020.08)*

  
Manuel Pérez, P.E.  
Product Control Examiner  
NOA No. 24-0116.04  
Expiration Date: March 04, 2029  
Approval Date: February 01, 2024

**Lawson Industries, Inc.**

**NOTICE OF ACCEPTANCE: EVIDENCE SUBMITTED**

**1. EVIDENCE SUBMITTED UNDER PREVIOUS NOA's (CONTINUED)**

**G. OTHERS**

1. Notice of Acceptance No. **20-0814.07** issued to Lawson Industries, Inc. for their Series "3200" Outswing Aluminum Casement Window – L.M.I., approved on 10/15/20 and expiring on 03/04/24.

**2. NEW EVIDENCE SUBMITTED**

**A. DRAWINGS**

1. None.

**B. TESTS**

1. None

**C. CALCULATIONS**

1. None.

**D. QUALITY ASSURANCE**

1. Miami-Dade Department of Regulatory and Economic Resources (RER)

**E. MATERIAL CERTIFICATIONS**


1. Notice of Acceptance No. **23-0717.30** issued to **Kuraray America, Inc.** for their "SentryGlas® (Clear and White) Glass Interlayers" dated 08/31/23, expiring on 07/04/28.
2. Notice of Acceptance No. **23-0717.28** issued to **Kuraray America, Inc.** for their "Trosifol® Ultraclear, Clear and Color PVB Glass Interlayers" dated 08/24/23, expiring on 07/08/24.
3. Notice of Acceptance No. **21-0216.01** issued to **Eastman Chemical Company (MA)** for their "Saflex PVB Interlayers - Clear and Colored for Glass" dated 04/29/21, expiring on 05/21/26.

**F. STATEMENTS**

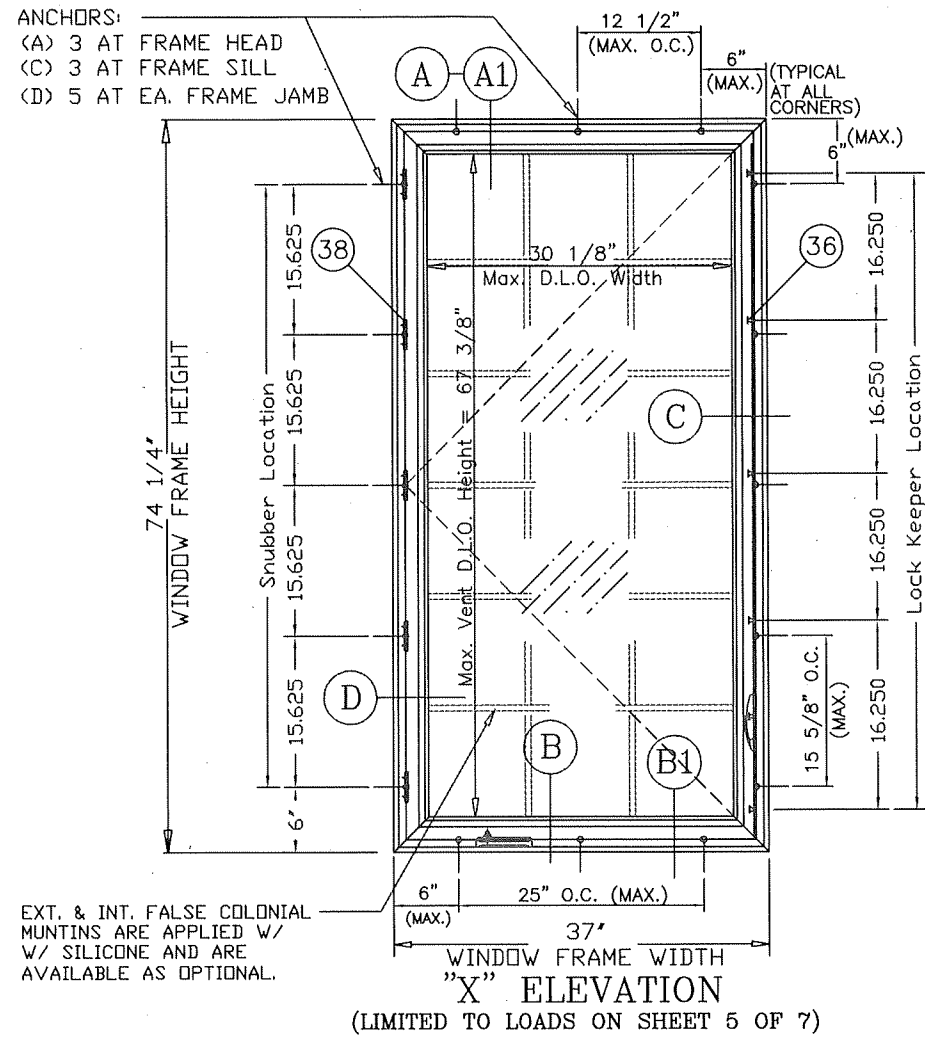
1. Statement letter of conformance, complying with **FBC 8<sup>th</sup> Edition (2023)**, dated January 12, 2024, issued by the manufacturer, signed and sealed by Thomas J. Sotos, P.E.

**G. OTHERS**

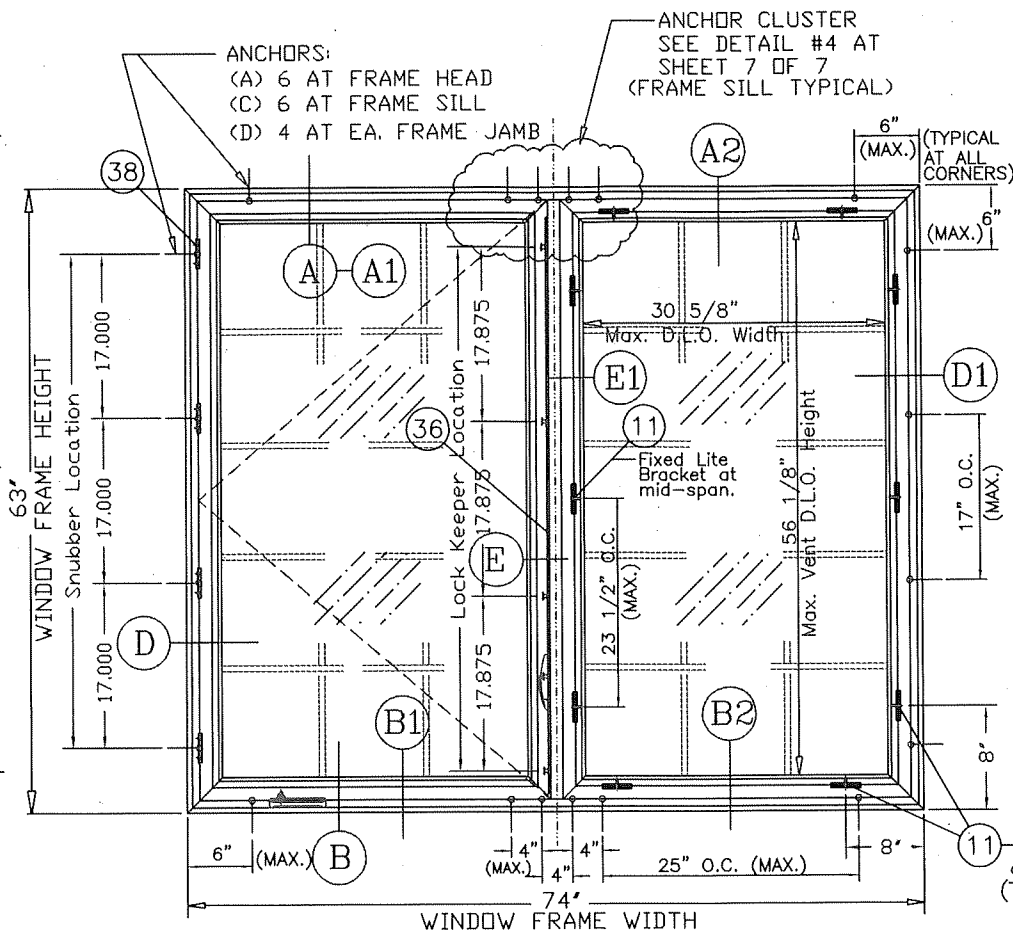
1. Notice of Acceptance No. **23-1010.05** issued to Lawson Industries, Inc. for their Series "3200" Outswing Aluminum Casement Window – L.M.I., approved on 10/15/20 and expiring on 03/04/24.

  
Manuel Pérez, P.E.  
Product Control Examiner  
NOA No. 24-0116.04  
Expiration Date: March 04, 2029  
Approval Date: February 01, 2024

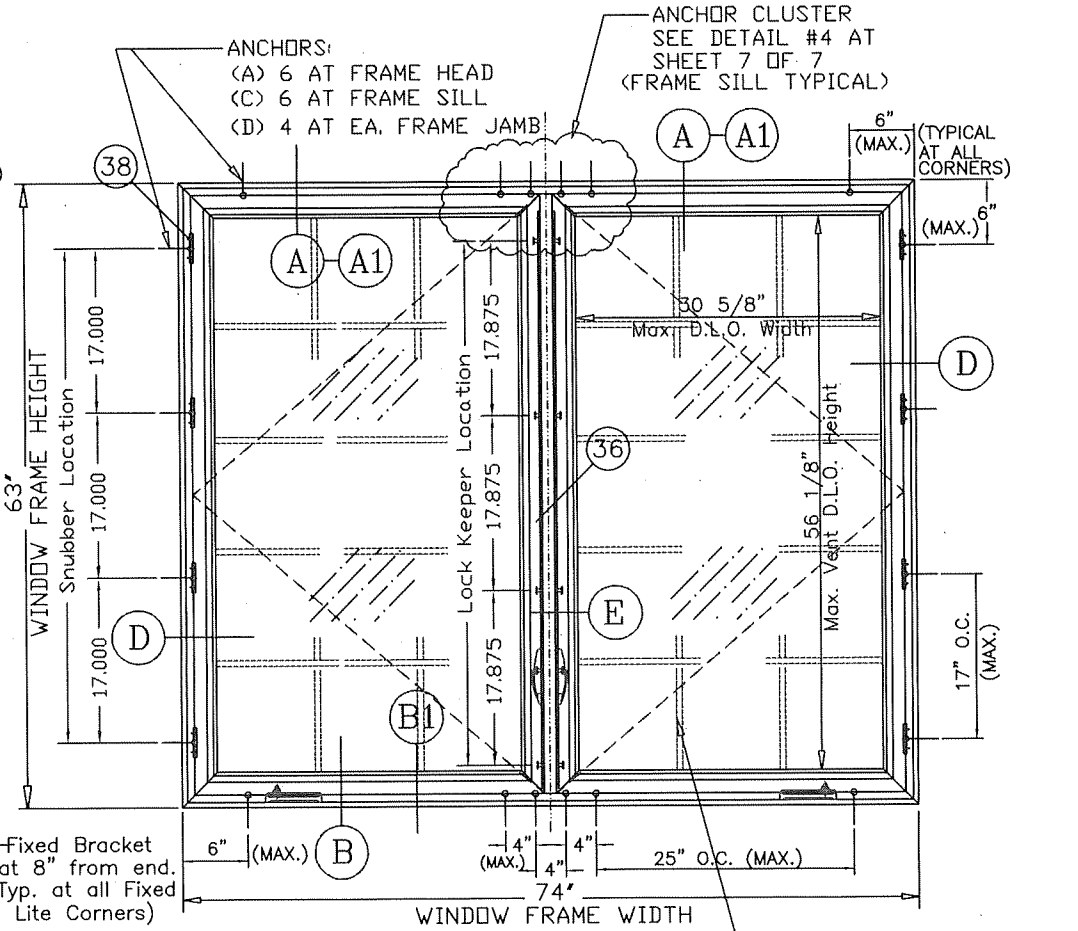




"X" ELEVATION  
(LIMITED TO LOADS ON SHEET 5 OF 7)



"XO" ELEVATION - (OX reversed)  
(LIMITED TO LOADS ON SHEET 6 OF 7)



"XX" ELEVATION  
(LIMITED TO LOADS ON SHEET 6 OF 7)

**SERIES-3200 OUTSWING CASEMENT IMPACT WINDOW APPROVED ELEVATIONS**

**General Notes:**

- 1.) THIS WINDOW SYSTEM IS DESIGNED AND TESTED TO COMPLY WITH THE REQUIREMENTS OF THE FLORIDA BUILDING CODE (2020-7th Edition & 2023-8th Edition) INCLUDING HIGH VELOCITY HURRICANE ZONE (HVHZ) AND ASTM 1300-98. THIS PRODUCT IS IMPACT RESISTANT AND DOES NOT REQUIRED SHUTTERS.
- 2.) 1X or 2 X WOOD BUCKS SHALL BE INSTALLED AND ANCHORED SO THAT THE BUILDING RESISTS THE SUPERIMPOSED LOADS IN ACCORDANCE WITH REQUIREMENTS OF F.B.C. & TO BE REVIEWED BY BUILDING OFFICIAL.
- 3.) ANCHORS SHOWN ABOVE ARE AS PER TEST UNITS. ON CENTER (O.C.) ANCHOR SPACINGS WILL VARY WITH UNIT DIMENSIONS, AND THE NUMBER OF ANCHORS REQUIRED, AS SPECIFIED ON THE LOAD TABLES AT SHEETS 5 & 6.
- 4.) ANCHOR CONDITIONS NOT DESCRIBED IN THESE DRAWING'S ARE TO BE ENGINEERED ON A SITE SPECIFIC BASIS, UNDER SEPARATE APPROVAL AND TO BE REVIEWED BY BUILDING OFFICIAL.
- 5.) SEE SHEET #4 OF 7 FOR BILL OF MATERIALS AND DETAILS.
- 6.) SEE SHEET #5 & 6 OF 7 FOR GLAZING DETAILS & OPTIONS AND CHARTS FOR MAX. DESIGN PRESSURES.
- 7.) WOOD BUCKS IN CONTACT WITH CONCRETE MUST BE PRESSURE TREATED AND ANCHORED PRIOR TO WINDOW INSTALLATION (BY OTHERS). (SEE SHEETS #2 & 3 FOR DETAIL & NOTES)
- 8.) MATERIALS INCLUDING BUT NOT LIMITED TO STEEL SCREWS, THAT COME INTO CONTACT WITH OTHER DISSIMILAR MATERIALS SHALL MEET THE REQUIREMENTS OF FLORIDA BUILDING CODE.
- 9.) EXT. & INT. FALSE COLONIAL MUNTINS ARE OPTIONAL & AND ARE APPLIED W/ SILICONE
- 10.) FRAME SILL ANCHOR CLIPS TO BE MEASURED FROM THE INSIDE EDGE OF THE WINDOW FRAME AND TO BE LOCATED WITHIN A +/- 1/2" TOLERANCE. TOTAL OF ANCHORS REQUIRED AT SILL TO BE THE SAME AS FRAME HEAD.
- 11.) SEE SHEET # 4 OF 10 FOR FLANGE PERIMETER CAULK/ INSTALLATION DETAIL.
- 12.) EXT. & INT. FALSE COLONIAL MUNTINS ARE OPTIONAL & AND ARE APPLIED W/ SILICONE

**GENERAL ANCHORS NOTE:**  
SEE SHEETS 2 & 3 OF 7 FOR ANCHOR TYPES, DESCRIPTIONS AND ANCHOR LOAD CAPACITIES.  
ALL ANCHORS WITH A MINIMUM OF 1 1/4' EMBEDMENT INTO MASONRY, WOOD OR CONCRETE.

WOOD BUCKS AND METAL STRUCTURES NOT BY LAWSON IND. MUST SUPPORT LOADS IMPOSED BY GLAZING SYSTEM AND TRANSFER THEM TO THE BUILDING STRUCTURE.

<b>PRODUCT RENEWED</b> As complying with the Florida Building Code NOA-No. <b>24-0116.04</b> Expiration Date: <b>03/04/2029</b> By: <i>Manuel Perez</i> Miami-Dade Product Control	<b>PRODUCT REVISED</b> As complying with the Florida Building Code NOA-No. <b>23-1010.05</b> Expiration Date: <b>03/04/2024</b> By: <i>Manuel Perez</i> Miami-Dade Product Control
---	---

THOMAS J. SOTOS  
PROFESSIONAL ENGINEER  
FL LIC. # 55225  
OCT 04 2023

Revision Notes:	
B. Renewal and Revision to sheet 5 & 6 of 7	
C. Revised to Comply w/ 2014 FBC	
D. Revised to Comply w/ 2017 FBC	
E. Revised and Updated per FTL Test #10570	
F. Revised to Comply w/ 2020 FBC	
G. Revised to Comply w/ 2023 FBC	
Drawn By: N. ERAZO	Date Drawn: 07/27/08
Revised By: N. ERAZO	Date Revised: 09/29/23
Revision Level: G	Scale:

**LAWSON INDUSTRIES, INC.**  
MANUFACTURER OF QUALITY ALUMINUM WINDOWS AND GLASS DOORS

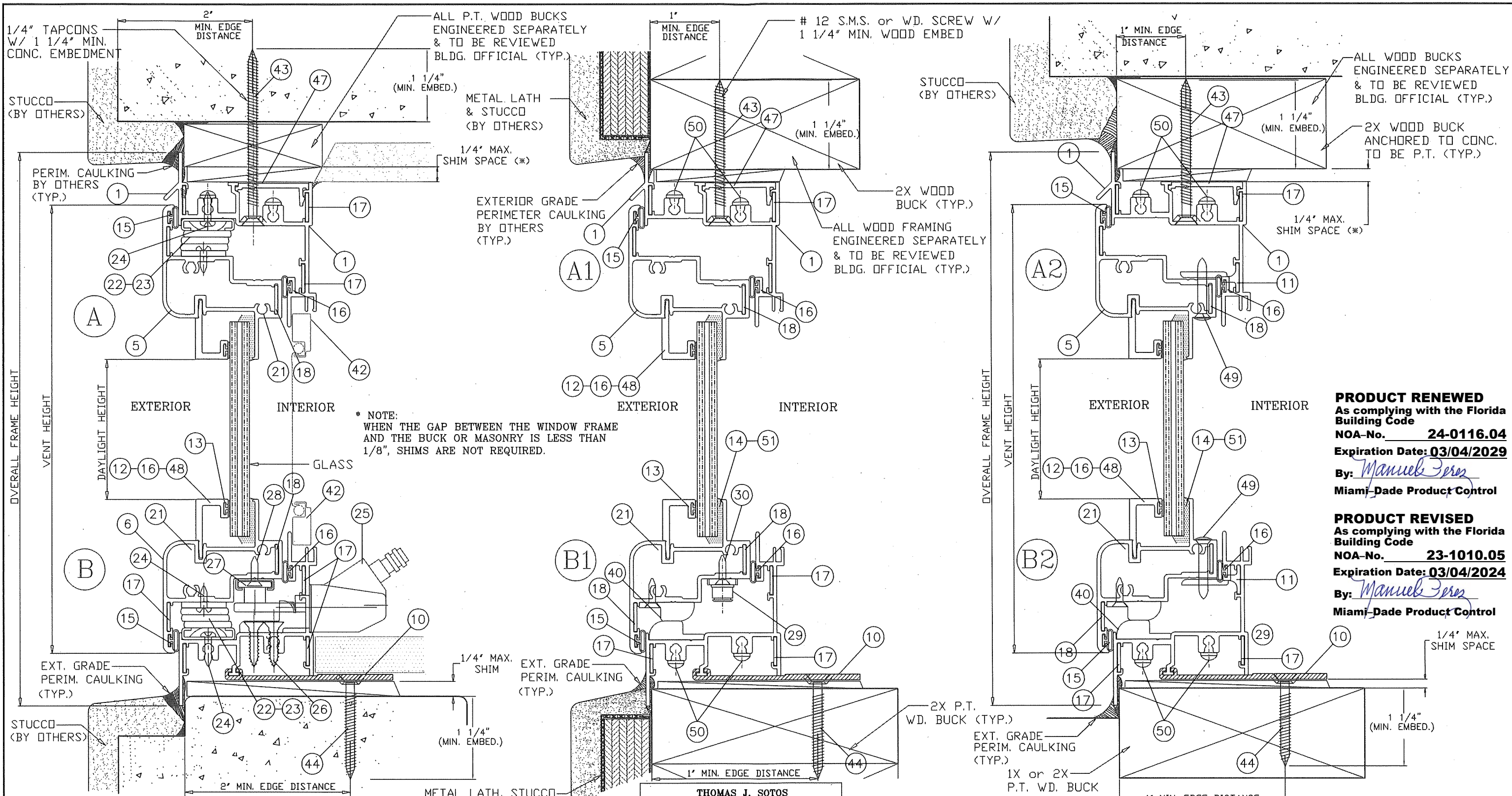
8501 N.W. 90 ST.  
MEDLEY, FLORIDA 33166  
PH No. (305) 696-8660

Draw Class: NOA	Part Class: ASSEMBLY	Prod Category: WINDOW	Series/Model: 3200	Item Reference #: LCNOA 08-01	Revision #:
-----------------	----------------------	-----------------------	--------------------	-------------------------------	-------------

Series: 3200 Outswing Impact Casement Window  
GENERAL NOTES & APPROVED ELEVATIONS (X, XX, XO or OX)

Product Reference Number: CASEMENT3200-0BNOA-01	Drawing Number: L3200-0801	Sheet: 1 OF 7
---	----------------------------	---------------





**PRODUCT RENEWED**  
 As complying with the Florida Building Code  
 NOA-No. **24-0116.04**  
 Expiration Date: **03/04/2029**  
 By: *Manuel Perez*  
 Miami-Dade Product Control

**PRODUCT REVISED**  
 As complying with the Florida Building Code  
 NOA-No. **23-1010.05**  
 Expiration Date: **03/04/2024**  
 By: *Manuel Perez*  
 Miami-Dade Product Control

**TYPICAL ANCHORS:** (SEE ELEV. AT SHEET 1 OF 7 FOR SPACING)

ANCHOR TYPE CHART IN CONC. or MASONRY (min.)					BLOCK
ANCHOR OPTIONS	SIZE	Embedment	Edge Dist.	Concrete	Edge Dist.
ELCO ULTRACON	1/4"	1 1/4"	1"	2.85 Ksi	2 1/2"
BUILDEX	1/4"	1 1/4"	1 1/2"	2.0 Ksi	2"

ANCHOR TYPE CHART IN 2X WOOD BUCK (min.)					
ANCHOR OPTIONS	HEAD-SILL	JAMB	Embedment	Edge Dist.	2x Wood
ELCO ULTRACON	1/4"	1/4"	1 1/4"	1"	.55 SG
BUILDEX	1/4"	1/4"	1 1/4"	1"	.55 SG
S.M.S. (Into 2X)	#12	#12	1 1/4"	1"	.55 SG

THOMAS J. SOTOS  
 PROFESSIONAL ENGINEER  
 FL LIC. # 55225

DATE **OCT 04 2023**

Revision Notes:

- B. Renewal and Revision to sheet 5 & 6 of 7
- C. Revised to Comply w/ 2014 FBC
- D. Revised to Comply w/ 2017 FBC
- E. Revised and Updated per FTL Test #10570
- F. Revised to Comply w/ 2020 FBC
- G. Revised to Comply w/ 2023 FBC

Drawn By: N. ERAZO Date Drawn: 07/27/08

Revised By: N. ERAZO Date Revised: 09/29/23

Revision Level: G Scale:

**LAWSON INDUSTRIES, INC.**

8501 N.W. 90 ST.  
 MEDLEY, FLORIDA 33166  
 PH No. (305) 696-8660

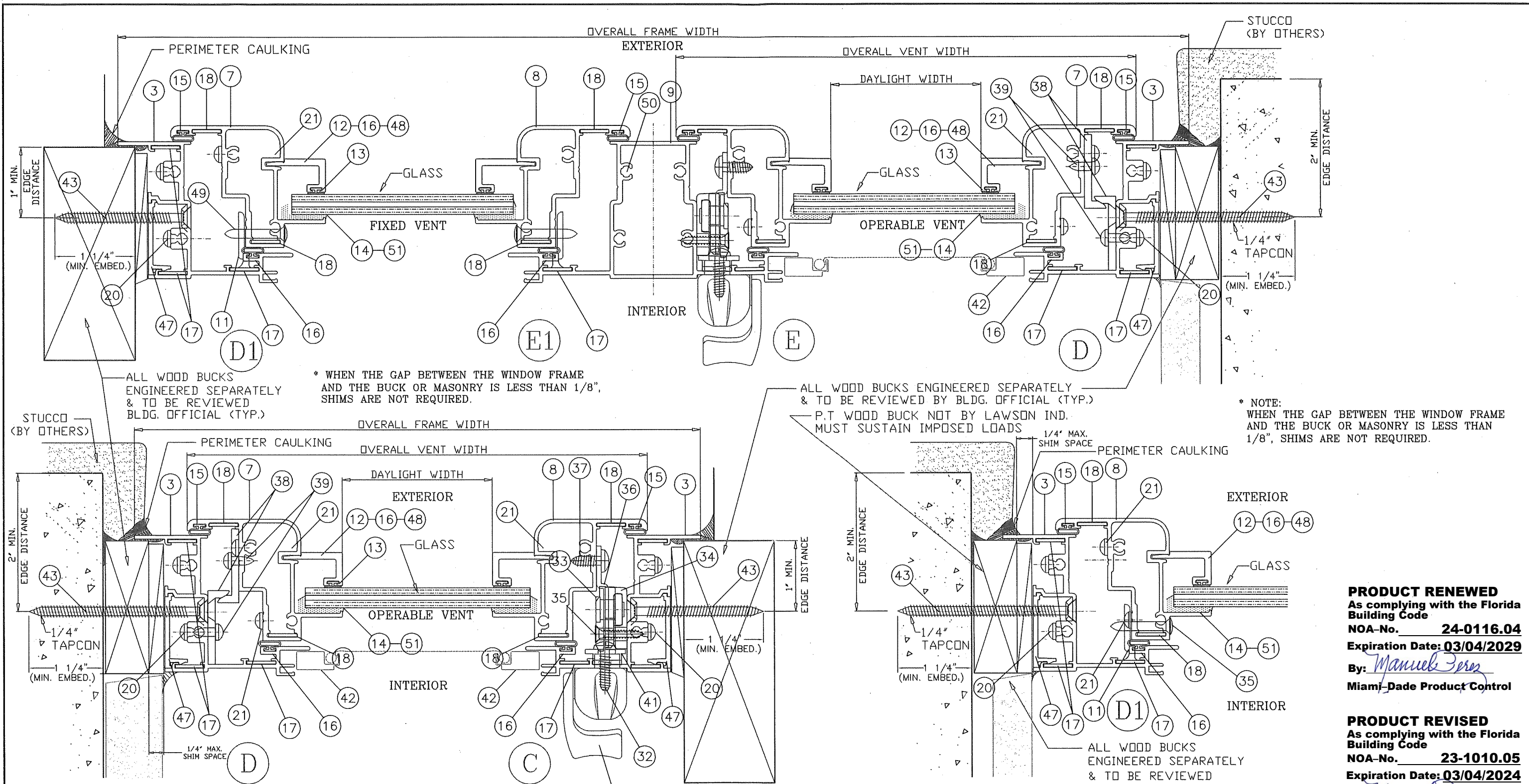
MANUFACTURER OF QUALITY ALUMINUM WINDOWS AND GLASS DOORS

Draw Class: NOA	Part Class: ASSEMBLY	Prod Category: WINDOW	Series/Model: 3200	Item Reference #: LCNOA 08-01	Revision #:
-----------------	----------------------	-----------------------	--------------------	-------------------------------	-------------

Series: 3200 Outswing Impact Casement Window  
 VERTICAL CROSS-SECTIONS, DETAILS & NOTES

Product Reference Number: CASEMENT3200-08NOA-01 Drawing Number: L3200-0801 Sheet: 2 OF 7





**PRODUCT RENEWED**  
 As complying with the Florida Building Code  
 NOA-No. **24-0116.04**  
 Expiration Date: **03/04/2029**  
 By: *Manuel Perez*  
 Miami-Dade Product Control

**PRODUCT REVISED**  
 As complying with the Florida Building Code  
 NOA-No. **23-1010.05**  
 Expiration Date: **03/04/2024**  
 By: *Manuel Perez*  
 Miami-Dade Product Control

TYPICAL ANCHORS:(SEE ELEV. AT SHEET 1 OF 7 FOR SPACING)

ANCHOR TYPE CHART IN CONC. or MASONRY (min.)					BLOCK
ANCHOR OPTIONS	SIZE	Embedment	Edge Dist.	Concrete	Edge Dist.
ELCO ULTRACON	1/4"	1 1/4"	1"	2.85 Ksi	2 1/2"
BUILDEX	1/4"	1 1/4"	1 1/2"	2.0 Ksi	2"
ANCHOR TYPE CHART IN 2X WOOD BUCK (min.)					
ANCHOR OPTIONS	HEAD-SILL	JAMB	Embedment	Edge Dist.	2x Wood
ELCO ULTRACON	1/4"	1/4"	1 1/4"	1"	.55 SG
BUILDEX	1/4"	1/4"	1 1/4"	1"	.55 SG
S.M.S. (Into 2X)	#12	#12	1 1/4"	1"	.55 SG

THOMAS J. SOTOS  
 PROFESSIONAL ENGINEER  
 FL. LIC. # 55225

DATE **OCT 04 2023**

Revision Notes:

B. Renewal and Revision to sheet 5 & 6 of 7

C. Revised to Comply w/ 2014 FBC

D. Revised to Comply w/ 2017 FBC

E. Revised and Updated per FTL Test #10570

F. Revised to Comply w/ 2020 FBC

G. Revised to Comply w/ 2023 FBC

Drawn By: N. ERAZO Date Drawn: 07/27/08

Revised By: N. ERAZO Date Revised: 09/29/23

Revision Level: G Scale:

**LAWSON INDUSTRIES, INC.**

8501 N.W. 90 ST.  
 MEDLEY, FLORIDA 33166  
 PH No. (305) 696-8660

MANUFACTURER OF QUALITY ALUMINUM WINDOWS AND GLASS DOORS

Draw Class: NOA	Part Class: ASSEMBLY	Prod Category: WINDOW	Series/Model: 3200	Item Reference #: LCNOA 08-01	Revision #:
-----------------	----------------------	-----------------------	--------------------	-------------------------------	-------------

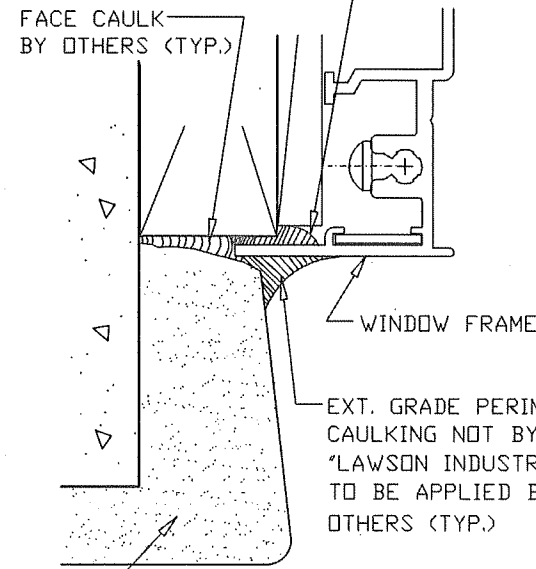
Series: 3200 Outswing Impact Casement Window

HORIZONTAL CROSS-SECTIONS, DETAILS & NOTES

Product Reference Number: CASEMENT3200-08NOA-01 Drawing Number: L3200-0801 Sheet: 3 OF 7



EXT. GRADE BACK BEDDING TO BE APPLIED BEHIND WINDOW FLANGE BY INSTALLER (TYP.)

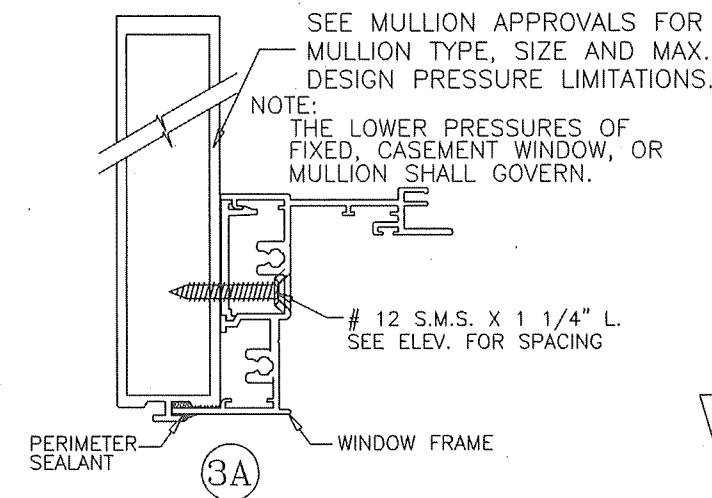


STUCCO OR EXTERIOR FINISH BY OTHERS (TYP.)

1

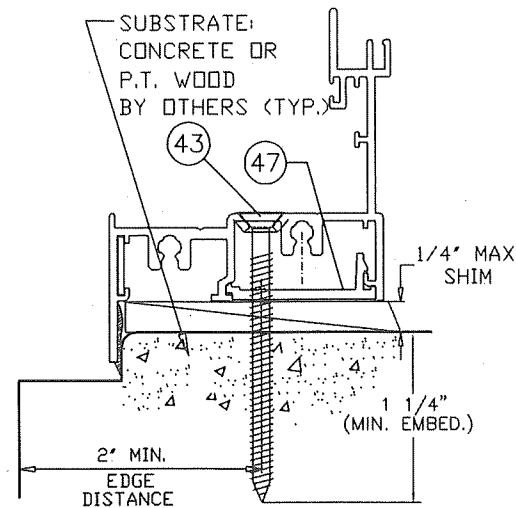
FRAME PERIMETER CAULK DETAIL

**PRODUCT RENEWED**  
As complying with the Florida Building Code  
NOA-No. **24-0116.04**  
Expiration Date: **03/04/2029**  
By: *Manuel Perez*  
Miami-Dade Product Control



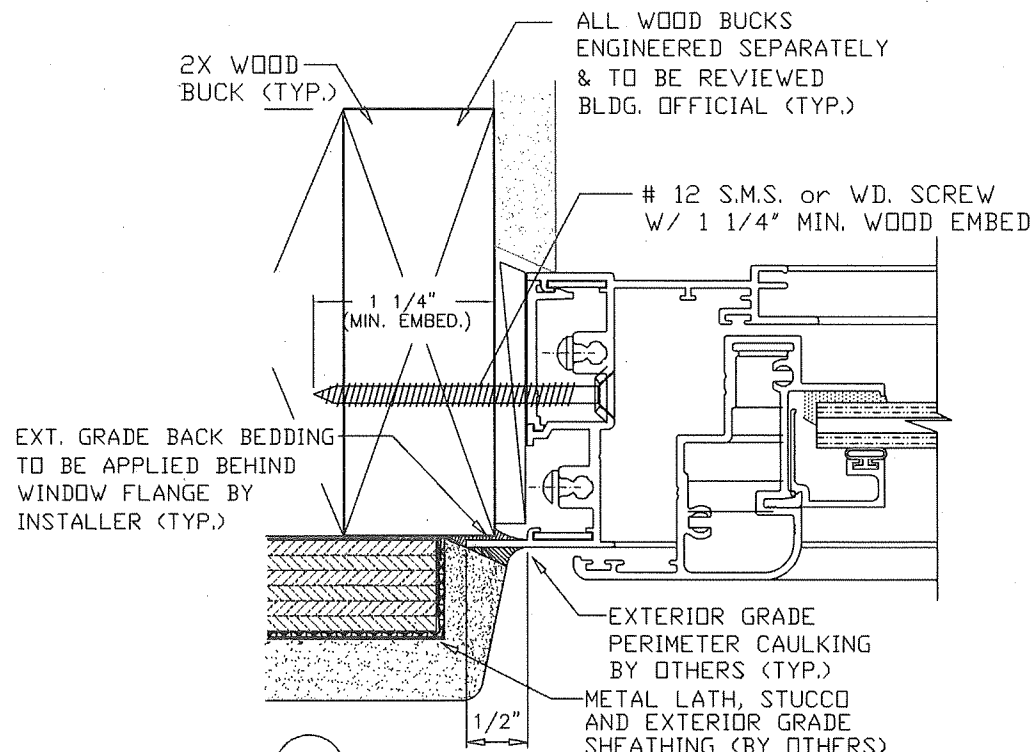
MULLION ATTACHMENT DETAIL

**PRODUCT REVISED**  
As complying with the Florida Building Code  
NOA-No. **23-1010.05**  
Expiration Date: **03/04/2024**  
By: *Manuel Perez*  
Miami-Dade Product Control



B

ALTERNATE ANCHORING AT SILL



2

WOOD FRAME INSTALLATION DETAIL

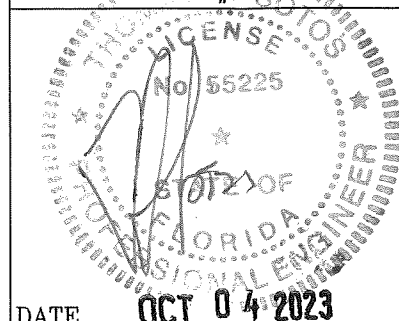
LAWSON SERIES: 3200 CASEMENT WINDOW - BILL OF MATERIALS LIST

ITEM #	DWG. NO.	PART NO.	QUANTITY	DESCRIPTION	REMARKS
44			SEE ELEVATION	FRAME SILL CLIP SCREWS	#12 X 1 1/2" PH SMS
45		SM-5504	SEE ELEVATION	FRAME/VENT ASSEMBLY SEALANT	*
46			SEE ELEVATION	FRAME INSTALLATION CAULKING	EXTERIOR GRADE PERIMETER
47	L-3007	LII-164	1 X ANCHOR	FRAME HEAD/JAMB SHEAR PLATE	6063-T5 ALUMINUM (3" L.)
48	L-3009	L-3209	AS REQ'D.	GLAZING BEAD - 7/16"	6063-T6 ALUMINUM
49			2 X BRACKET	FIXED VENT ATTACHMENT SCREW	#8 x 1 1/4" FH./PHIL. SDS
50			8 X POST	IN-POST ASSEMBLY SCREWS	#10 X 1 1/4" PH SMS
51		DC-899	AS REQ'D.	GLAZING SEALANT - SILICONE	*
52 a	"TRUSEAL"	AS REQ'D.	AS REQ'D.	Insulated Glass Swiggle Seal	1/4" air spacer
52 b	"QUANEX"	AS REQ'D.	AS REQ'D.	Insulated Glass SuperSpacer	1/4" air spacer
52 c	"QUANEX"	AS REQ'D.	AS REQ'D.	Insulated Glass Duraseal	1/4" air spacer

LAWSON SERIES: 3200 CASEMENT WINDOW - BILL OF MATERIALS LIST

ITEM #	DWG. NO.	PART NO.	QUANTITY	DESCRIPTION	REMARKS
1	L-3001	LII-118	1	FRAME HEAD	6063-T6 ALUMINUM
2	L-3002	LII-115	1	FRAME SILL	6063-T6 ALUMINUM
3	L-3002	LII-115	2	FRAME JAMB-HINGE SIDE	6063-T6 ALUMINUM
4	L-3002	LII-115	2	FRAME JAMB-LATCH SIDE	6063-T6 ALUMINUM
5	L-3004	LII-119	2	VENT TOP RAIL	6063-T6 ALUMINUM
6	L-3004	LII-119	2	VENT BOTTOM RAIL	6063-T6 ALUMINUM
7	L-3004	LII-119	2	VENT SIDE RAIL-HINGE SIDE	6063-T6 ALUMINUM
8	L-3004	LII-119	2	VENT SIDE RAIL-LATCH SIDE	6063-T6 ALUMINUM
9	L-3003	LII-116	AS REQ'D.	IN-POST	6063-T6 ALUMINUM
10	L-3006	LII-111	1 X ANCHOR	FRAME SILL ANCHOR CLIP	6063-T6 ALUMINUM (3" L.)
11	L-3005	LII-113	AS REQ'D.	FIXED LITE MOUNTING BRACKET	6063-T6 ALUMINUM (3" L.)
12	L-3010	L-3210	AS REQ'D.	GLAZING BEAD - 5/16"	6063-T6 ALUMINUM
13	L-7531	L-7531	AS REQ'D.	GLAZING BEAD BULB VINYL	PVC VINYL
14		SM-5731	AS REQ'D.	GLAZING SEALANT - SILICONE	*
15	L-3012		AS REQ'D.	WEATHERSTRIPPING - FRAME/VENT	PVC VINYL
16	L-3011	L-3211	AS REQ'D.	GLAZING BEAD 11/16" LAM./INSUL.	6063-T6 ALUMINUM
17	L-3013		12	CORNER KEY PER FRAME	*
18	L-3013		8	CORNER KEY PER VENT	*
19	L-3013		4 X POST	CORNER KEY PER IN-POST	*
20			8	FRAME ASSEMBLY SCREWS	#10 X 1" PH SMS
21			8	VENT ASSEMBLY SCREWS	#10 X 1 1/4" PH SMS
22			2 X VENT	4 BAR 90° HINGES - STD. & H.D.	*
23			2 X VENT	4 BAR 45° HINGES - STD. & H.D.	*
24			AS REQ'D.	HINGE MOUNTING SCREWS	#10 X 1/2" P.H./PHIL. B
25			1 X VENT	VENT OPERATOR - DUAL or SINGLE	*
26			4/ OPER.	OPERATOR MOUNTING SCREWS	#10 X 3/4" F.H./PHIL. SDS
27			1/ OPER.	STAINLESS STEEL "C" TRACK	*
28			2/ TRACK	TRACK MOUNTING SCREWS	#8 X 1/2" F.H./PHIL. SDS
29			1/ OPERATOR	STUD BRACKET CONNECTOR	*
30			2/ BRACKET	STUD BRACKET SCREWS	#8 X 1/2" F.H./PHIL. SDS
31			1/ VENT	LOCKING HANDLE	*
32			2/ LOCK	LOCK HANDLE MOUNTING SCREWS	#10-32 X 3/8" PH MS
33			1/ VENT	LOCKING MULTI-POINT BAR	*
34			1 X LOCK POINT	TIE BAR NYLON GUIDES	*
35			2 X GUIDE	NYLON GUIDES MOUNTING SCREWS	#8 X 1" PH./PHIL. B
36			1/ LOCK	KEEPER (ST. STEEL)	*
37			2/ KEEPER	KEEPER MOUNTING SCREWS	
38	L-3014		4	SNUBBER	6063-T5 ALUMINUM
39			2/ SNUBBER	SNUBBER INSTALLATION SCREWS	#8 X 1/2" PH SMS
40			1 X VENT	ANTI SAG VENT/SILL RAMP - OPT.	NYLON 6/6
41			1 X HANDLE	LOCKING HANDLE BACK PLATE	*
42			1 X VENT	5/16" INSECT SCREEN - OPTIONAL	ALUMINUM FRAME
43			SEE ELEVATION	FRAME INSTALLATION SCREWS	#12 X 2 1/4" PH SMS

THOMAS J. SOTOS  
PROFESSIONAL ENGINEER  
FL LIC. # 55225



Revision Notes:  
B. Renewal and Revision to sheet 5 & 6 of 7  
C. Revised to Comply w/ 2014 FBC  
D. Revised to Comply w/ 2017 FBC  
E. Revised and Updated per FTL Test #10570  
F. Revised to Comply w/ 2020 FBC  
G. Revised to Comply w/ 2023 FBC

Drawn By: N. ERAZO Date Drawn: 07/27/08  
Revised By: N. ERAZO Date Revised: 09/29/23  
Revision Level: G Scale:

**LAWSON**  
INDUSTRIES, INC.

8501 N.W. 90 ST.  
MEDLEY, FLORIDA 33166  
PH No. (305) 696-8660

MANUFACTURER OF QUALITY ALUMINUM WINDOWS AND GLASS DOORS

Draw Class: NOA Part Class: ASSEMBLY Prod Category: WINDOW Series/Model: 3200 Item Reference #: LENOA 08-01 Revision #:   
Series: 3200 Outswing Impact Casement Window  
BILL OF MATERIALS LIST AND DETAILS  
Product Reference Number: CASEMENT3200-08NOA-01 Drawing Number: L3200-0801 Sheet: 4 OF 7



5/16" LAMINATED GLASS COMPOSITION - TYPE "A"		
ITEM	DESCRIPTION	DETAIL
1	1/8" ANNEALED GLASS	
2	0.090" PVB INTERLAYER TROSFOLD PVB by Kuraray America Inc. or Saflex PVB by Eastman Chemical Co.	
3	1/8" ANNEALED GLASS	

5/16" LAMINATED GLASS COMPOSITION - TYPE "B"		
ITEM	DESCRIPTION	DETAIL
1	1/8" HEAT-STRENGTHENED GLASS	
2	0.090" PVB INTERLAYER Saflex PVB by Eastman Chemical Co.	
3	1/8" HEAT-STRENGTHENED GLASS	

5/16" LAMINATED GLASS COMPOSITION - TYPE "C"		
ITEM	DESCRIPTION	DETAIL
1	1/8" HEAT-STRENGTHENED GLASS	
2	0.090" INTERLAYER SentryGlass Interlayer by Kuraray America Inc.	
3	1/8" HEAT-STRENGTHENED GLASS	

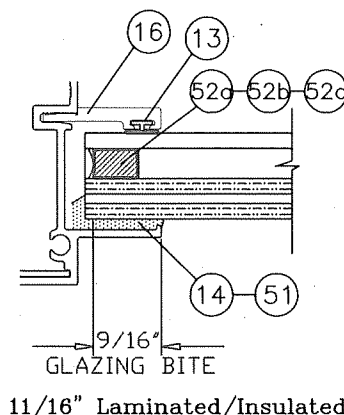
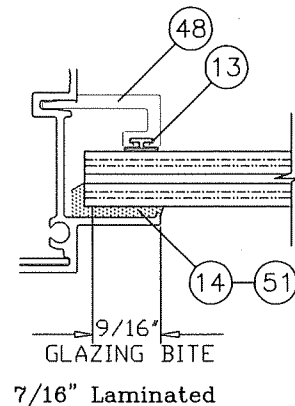
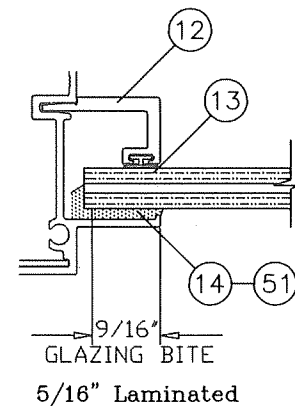
7/16" LAMINATED GLASS COMPOSITION - TYPE "D"		
ITEM	DESCRIPTION	DETAIL
1	3/16" ANNEALED GLASS	
2	0.090" PVB INTERLAYER Saflex PVB by Eastman Chemical Co.	
3	3/16" ANNEALED GLASS	

11/16" LAMINATED GLASS COMPOSITION TYPE "E"		
ITEM	DESCRIPTION	DETAIL
1	1/8" ANNEALED GLASS	
2	0.090" PVB INTERLAYER Saflex PVB by Eastman Chemical Co.	
3	1/8" ANNEALED GLASS	
4	1/4" INSULATED AIR SPACE	
5	1/8" ANNEALED GLASS	

**LAMINATED GLASS TYPES**

NOTE: WINDOWS WITH GLASS TYPES "E" INSTALLED ABOVE 30ft. IN THE HVHZ, THE I.G. EXTERIOR LITE SHALL BE TEMPERED TO COMPLY WITH THE SMALL MISSILE IMPACT RESISTANCE REQUIREMENTS (FBC-2023, Chapter 24 Section 2411.3.3.7).

- 52 Insulated Spacer Types & Options
- 52 a) "TrueSeal" Swiggle Seal
  - 52 b) "Quanex" SuperSpacer w/ Isomelt M
  - 52 c) "Quanex" Duraseal



**GLAZING OPTION DETAILS**

					Flange Frame Window Glazed with									
3200 Impact Casement Window					Glass Type "A"		Glass Type "B"		Glass Type "C"		Glass Type "D"		Glass Type "E"	
Configuration: "X"					5/16" Annealed Glass		5/16" H.S. Glass - PVB		5/16" H.S. Glass -SGP		7/16" Annealed Glass		11/16" Annealed Glass	
Size Code	Width (in)	Height (in)	Anchors		DP(+) psf	DP(-) psf	DP(+) psf	DP(-) psf	DP(+) psf	DP(-) psf	DP(+) psf	DP(-) psf	DP(+) psf	DP(-) psf
			Head/Sill	Jamb										
12	19.125	26	2	2	59.0	59.0	70.0	82.0	70.0	82.0	70.0	73.0	70.0	73.0
13	19.125	38.375	2	3	59.0	59.0	70.0	82.0	70.0	82.0	70.0	73.0	70.0	73.0
14	19.125	50.625	2	4	59.0	59.0	70.0	82.0	70.0	82.0	70.0	73.0	70.0	73.0
15	19.125	63	2	5	59.0	59.0	70.0	82.0	70.0	82.0	70.0	73.0	70.0	73.0
16	19.125	74.25	2	5	59.0	59.0	70.0	82.0	70.0	82.0	70.0	73.0	70.0	73.0
H32	26.5	26	3	2	59.0	59.0	70.0	82.0	70.0	82.0	70.0	73.0	70.0	73.0
H33	26.5	38.375	3	3	59.0	59.0	70.0	82.0	70.0	82.0	70.0	73.0	70.0	73.0
H34	26.5	50.625	3	4	59.0	59.0	70.0	82.0	70.0	82.0	70.0	73.0	70.0	73.0
H35	26.5	63	3	5	59.0	59.0	70.0	82.0	70.0	82.0	70.0	73.0	70.0	73.0
H36	26.5	74.25	3	5	59.0	59.0	70.0	82.0	70.0	82.0	70.0	73.0	70.0	73.0
22	37	26	3	2	59.0	59.0	70.0	82.0	70.0	82.0	70.0	73.0	70.0	73.0
23	37	38.375	3	3	59.0	59.0	70.0	82.0	70.0	82.0	70.0	73.0	70.0	73.0
24	37	50.625	3	4	59.0	59.0	70.0	82.0	70.0	82.0	70.0	73.0	70.0	73.0
25	37	63	3	5	59.0	59.0	70.0	82.0	70.0	82.0	70.0	73.0	70.0	73.0
26	37	74.25	3	5	59.0	59.0	70.0	82.0	-	-	-	-	-	-
2020	24	24	2	2	59.0	59.0	70.0	82.0	70.0	82.0	70.0	73.0	70.0	73.0
2030	24	36	2	3	59.0	59.0	70.0	82.0	70.0	82.0	70.0	73.0	70.0	73.0
2040	24	48	2	4	59.0	59.0	70.0	82.0	70.0	82.0	70.0	73.0	70.0	73.0
2050	24	60	2	5	59.0	59.0	70.0	82.0	70.0	82.0	70.0	73.0	70.0	73.0
2060	24	72	2	5	59.0	59.0	70.0	82.0	70.0	82.0	70.0	73.0	70.0	73.0
2620	30	24	3	2	59.0	59.0	70.0	82.0	70.0	82.0	70.0	73.0	70.0	73.0
2630	30	36	3	3	59.0	59.0	70.0	82.0	70.0	82.0	70.0	73.0	70.0	73.0
2640	30	48	3	4	59.0	59.0	70.0	82.0	70.0	82.0	70.0	73.0	70.0	73.0
2650	30	60	3	5	59.0	59.0	70.0	82.0	70.0	82.0	70.0	73.0	70.0	73.0
2660	30	72	3	5	59.0	59.0	70.0	82.0	70.0	82.0	70.0	73.0	70.0	73.0
2820	32	24	3	2	59.0	59.0	70.0	82.0	70.0	82.0	70.0	73.0	70.0	73.0
2830	32	36	3	3	59.0	59.0	70.0	82.0	70.0	82.0	70.0	73.0	70.0	73.0
2840	32	48	3	4	59.0	59.0	70.0	82.0	70.0	82.0	70.0	73.0	70.0	73.0
2850	32	60	3	5	59.0	59.0	70.0	82.0	70.0	82.0	70.0	73.0	70.0	73.0
2860	32	72	3	5	59.0	59.0	70.0	82.0	70.0	82.0	70.0	73.0	70.0	73.0
3020	36	24	3	2	59.0	59.0	70.0	82.0	70.0	82.0	70.0	73.0	70.0	73.0
3030	36	36	3	3	59.0	59.0	70.0	82.0	70.0	82.0	70.0	73.0	70.0	73.0
3040	36	48	3	4	59.0	59.0	70.0	82.0	70.0	82.0	70.0	73.0	70.0	73.0
3050	36	60	3	5	59.0	59.0	70.0	82.0	70.0	82.0	70.0	73.0	70.0	73.0
3060	36	72	3	5	59.0	59.0	70.0	82.0	-	-	-	-	-	-

**THOMAS J. SOTOS**  
PROFESSIONAL ENGINEER  
FL LIC. # 55225

DATE **OCT 6 2023**

**Revision Notes:**

- B. Renewal and Revision to sheet 5 & 6 of 7
- C. Revised to Comply w/ 2014 FBC
- D. Revised to Comply w/ 2017 FBC
- E. Revised and Updated per FTL Test #10570
- F. Revised to Comply w/ 2020 FBC
- G. Revised to Comply w/ 2023 FBC

Drawn By: **N. ERAZO** Date Drawn: **07/27/08**

Revised By: **N. ERAZO** Date Revised: **09/29/23**

Revision Level: **G** Scale:

**PRODUCT RENEWED**  
As complying with the Florida Building Code  
NOA-No. **24-0116.04**  
Expiration Date: **03/04/2029**  
By: *Manuel Perez*  
Miami-Dade Product Control

**PRODUCT REVISED**  
As complying with the Florida Building Code  
NOA-No. **23-1010.05**  
Expiration Date: **03/04/2024**  
By: *Manuel Perez*  
Miami-Dade Product Control

**LAWSON INDUSTRIES, INC.**

MANUFACTURER OF QUALITY ALUMINUM WINDOWS AND GLASS DOORS

8501 N.W. 90 ST.  
MEDLEY, FLORIDA 33166  
PH No. (305) 696-8660

Draw Class: NOA	Part Class: ASSEMBLY	Prod Category: WINDOW	Series/Model: 3200	Item Reference #: L3200-08-01	Revision #:
Series: 3200 Outswing Impact Casement Window					
GLASS & DP CHARTS AND GLAZING DETAILS FOR "X" UNITS					
Product Reference Number: CASEMENT3200-08NOA-01		Drawing Number: L3200-0801		Sheet: 5 OF 7	



5/16" LAMINATED GLASS COMPOSITION - TYPE "A"		
ITEM	DESCRIPTION	DETAIL
1	1/8" ANNEALED GLASS	
2	0.090" PVB INTERLAYER TRQSIFOL PVB by Kuraray America Inc. or Saflex PVB by Eastman Chemical Co.	
3	1/8" ANNEALED GLASS	

5/16" LAMINATED GLASS COMPOSITION - TYPE "B"		
ITEM	DESCRIPTION	DETAIL
1	1/8" HEAT-STRENGTHENED GLASS	
2	0.090" PVB INTERLAYER Saflex PVB by Eastman Chemical Co.	
3	1/8" HEAT-STRENGTHENED GLASS	

5/16" LAMINATED GLASS COMPOSITION - TYPE "C"		
ITEM	DESCRIPTION	DETAIL
1	1/8" HEAT-STRENGTHENED GLASS	
2	0.090" INTERLAYER SentryGlass Interlayer by: Kuraray America Inc.	
3	1/8" HEAT-STRENGTHENED GLASS	

7/16" LAMINATED GLASS COMPOSITION - TYPE "D"		
ITEM	DESCRIPTION	DETAIL
1	3/16" ANNEALED GLASS	
2	0.090" PVB INTERLAYER Saflex PVB by Eastman Chemical Co.	
3	3/16" ANNEALED GLASS	

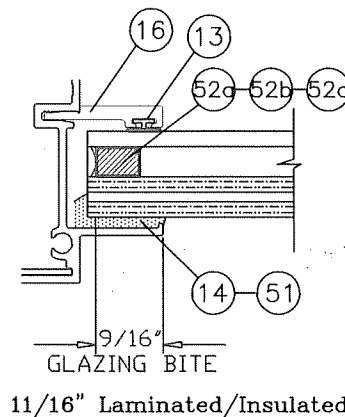
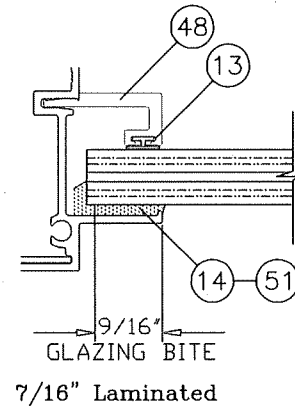
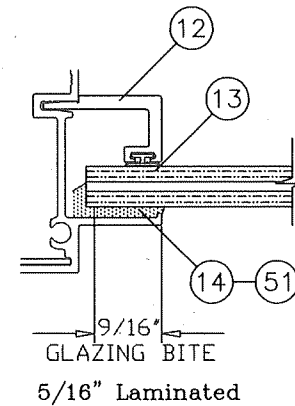
11/16" LAMINATED GLASS COMPOSITION TYPE "E"		
ITEM	DESCRIPTION	DETAIL
1	1/8" ANNEALED GLASS	
2	0.090" PVB INTERLAYER Saflex PVB by Eastman Chemical Co.	
3	1/8" ANNEALED GLASS	
4	1/4" INSULATED AIR SPACE	
5	1/8" ANNEALED GLASS	

**LAMINATED GLASS TYPES**

NOTE: WINDOWS WITH GLASS TYPES "E" INSTALLED ABOVE 30ft. IN THE HVHZ, THE I.G. EXTERIOR LITE SHALL BE TEMPERED TO COMPLY WITH THE SMALL MISSILE IMPACT RESISTANCE REQUIREMENTS (FBC-2023, Chapter 24 Section 2411.3.3.7).

**Insulated Spacer Types & Options**

- 52 a) "TrueSeal" Swiggle Seal
- 52 b) "Quanex" SuperSpacer w/ Isomelt M
- 52 c) "Quanex" Duraseal



**GLAZING OPTION DETAILS**

		Flange Frame Window Glazed with													
		3200 Impact Casement Window				Glass Type "A"		Glass Type "B"		Glass Type "C"		Glass Type "D"		Glass Type "E"	
		Configuration: "XX", "XO" or "OX"				5/16" Annealed Glass		5/16" H.S. Glass - PVB		5/16" H.S. Glass -SGP		7/16" Annealed Glass		11/16" Annealed Glass	
COMMODITY SIZES	Size	Width	Height	Anchors		DP(+)	DP(-)	DP(+)	DP(-)	DP(+)	DP(-)	DP(+)	DP(-)	DP(+)	DP(-)
	Code	(in)	(in)	Head/Sill	Jamb	psf	psf	psf	psf	psf	psf	psf	psf	psf	psf
	22	37	26	4	2	70.0	70.0	70.0	73.0	70.0	82.0	70.0	73.0	70.0	73.0
	23	37	38.375	4	3	70.0	70.0	70.0	73.0	70.0	82.0	70.0	73.0	70.0	73.0
	24	37	50.625	4	4	70.0	70.0	70.0	73.0	70.0	82.0	70.0	73.0	70.0	73.0
	25	37	63	4	4	70.0	70.0	70.0	73.0	70.0	82.0	70.0	73.0	70.0	73.0
	32	53.125	26	4	2	70.0	70.0	70.0	73.0	70.0	82.0	70.0	73.0	70.0	73.0
	33	53.125	38.375	4	3	70.0	70.0	70.0	73.0	70.0	82.0	70.0	73.0	70.0	73.0
	34	53.125	50.625	4	4	70.0	70.0	70.0	73.0	70.0	82.0	70.0	73.0	70.0	73.0
	35	53.125	63	4	4	70.0	70.0	70.0	73.0	70.0	82.0	70.0	73.0	70.0	73.0
	D22	74	26	6	2	70.0	70.0	70.0	73.0	70.0	82.0	70.0	73.0	70.0	73.0
	D23	74	38.375	6	3	70.0	70.0	70.0	73.0	70.0	82.0	70.0	73.0	70.0	73.0
	D24	74	50.625	6	4	70.0	70.0	70.0	73.0	70.0	82.0	70.0	73.0	70.0	73.0
	D25	74	63	6	4	70.0	70.0	70.0	73.0	70.0	82.0	70.0	73.0	70.0	73.0
MODULAR SIZES	3020	36	24	4	2	70.0	70.0	70.0	73.0	70.0	82.0	70.0	73.0	70.0	73.0
	3030	36	36	4	3	70.0	70.0	70.0	73.0	70.0	82.0	70.0	73.0	70.0	73.0
	3040	36	48	4	4	70.0	70.0	70.0	73.0	70.0	82.0	70.0	73.0	70.0	73.0
	3050	36	60	4	4	70.0	70.0	70.0	73.0	70.0	82.0	70.0	73.0	70.0	73.0
	4020	48	24	4	2	70.0	70.0	70.0	73.0	70.0	82.0	70.0	73.0	70.0	73.0
	4030	48	36	4	3	70.0	70.0	70.0	73.0	70.0	82.0	70.0	73.0	70.0	73.0
	4040	48	48	4	4	70.0	70.0	70.0	73.0	70.0	82.0	70.0	73.0	70.0	73.0
	4050	48	60	4	4	70.0	70.0	70.0	73.0	70.0	82.0	70.0	73.0	70.0	73.0
	5020	60	24	5	2	70.0	70.0	70.0	73.0	70.0	82.0	70.0	73.0	70.0	73.0
	5030	60	36	5	3	70.0	70.0	70.0	73.0	70.0	82.0	70.0	73.0	70.0	73.0
	5040	60	48	5	4	70.0	70.0	70.0	73.0	70.0	82.0	70.0	73.0	70.0	73.0
	5050	60	60	5	4	70.0	70.0	70.0	73.0	70.0	82.0	70.0	73.0	70.0	73.0
	6020	72	24	6	2	70.0	70.0	70.0	73.0	70.0	82.0	70.0	73.0	70.0	73.0
	6030	72	36	6	3	70.0	70.0	70.0	73.0	70.0	82.0	70.0	73.0	70.0	73.0
	6040	72	48	6	4	70.0	70.0	70.0	73.0	70.0	82.0	70.0	73.0	70.0	73.0
6050	72	60	6	4	70.0	70.0	70.0	73.0	70.0	82.0	70.0	73.0	70.0	73.0	

THOMAS J. SOTOS  
PROFESSIONAL ENGINEER  
FL LIC. # 55225

DATE: OCT 04 2023

Revision Notes:	
B. Renewal and Revision to sheet 5 & 6 of 7	
C. Revised to Comply w/ 2014 FBC	
D. Revised to Comply w/ 2017 FBC	
E. Revised and Updated per FTL Test #10570	
F. Revised to Comply w/ 2020 FBC	
G. Revised to Comply w/ 2023 FBC	
Drawn By: N. ERAZO	Date Drawn: 07/27/08
Revised By: N. ERAZO	Date Revised: 09/29/23
Revision Level: G	Scale:

<b>PRODUCT RENEWED</b> As complying with the Florida Building Code NOA-No. <b>24-0116.04</b> Expiration Date: <b>03/04/2029</b> By: <i>Manuel Perez</i> Miami-Dade Product Control	<b>PRODUCT REVISED</b> As complying with the Florida Building Code NOA-No. <b>23-1010.05</b> Expiration Date: <b>03/04/2024</b> By: <i>Manuel Perez</i> Miami-Dade Product Control
---	---

**LAWSON INDUSTRIES, INC.**

8501 N.W. 90 ST.  
MEDLEY, FLORIDA 33166  
PH No. (305) 696-8660

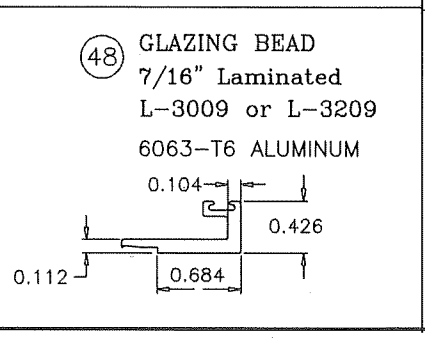
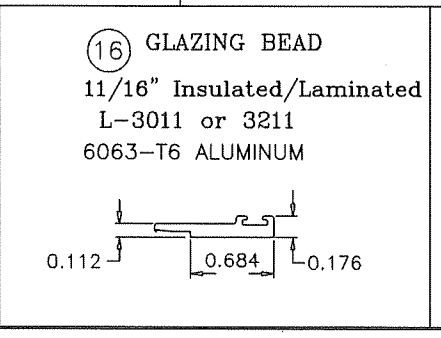
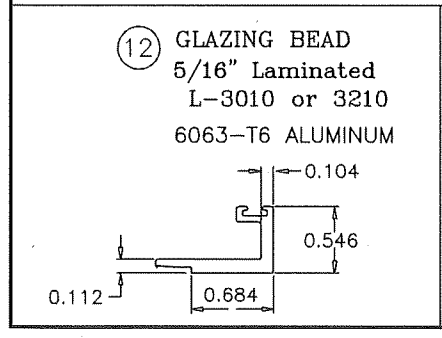
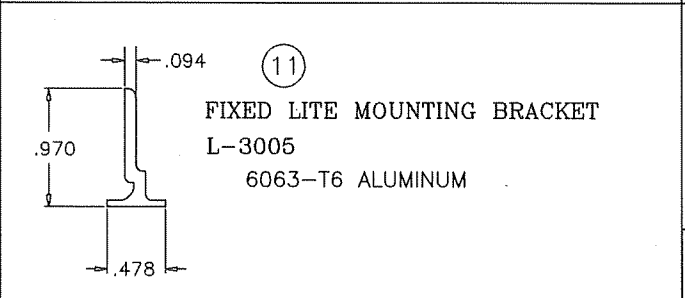
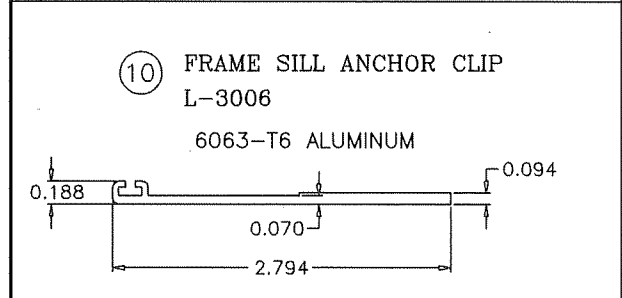
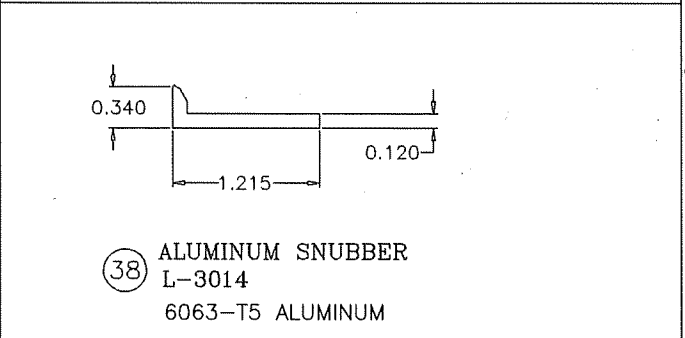
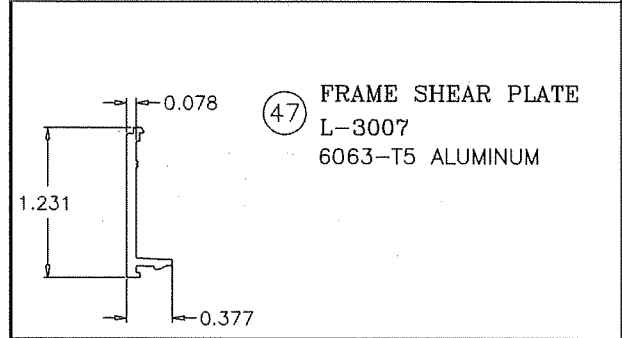
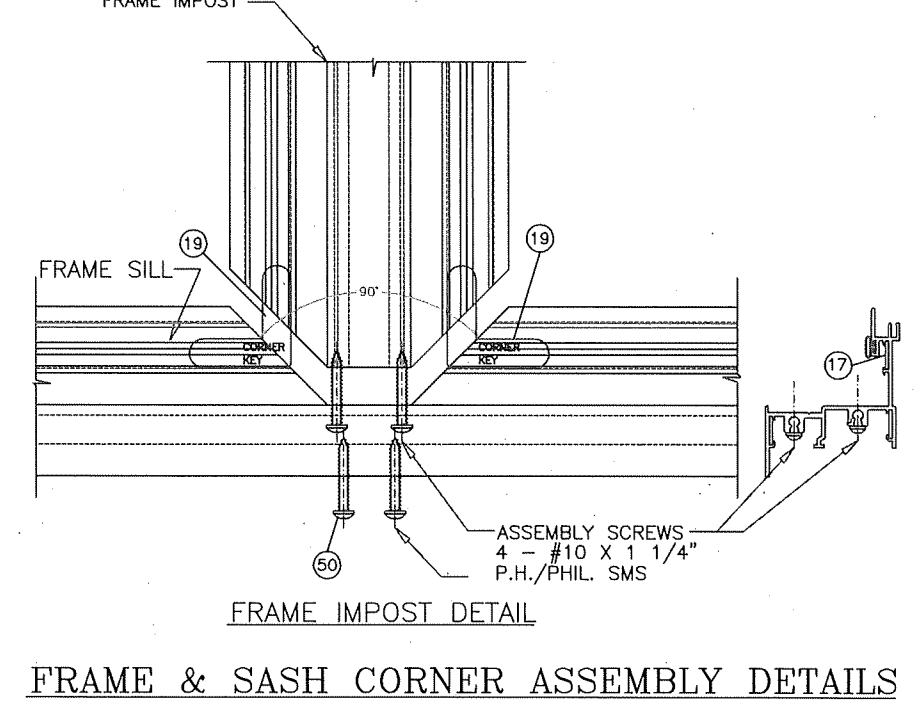
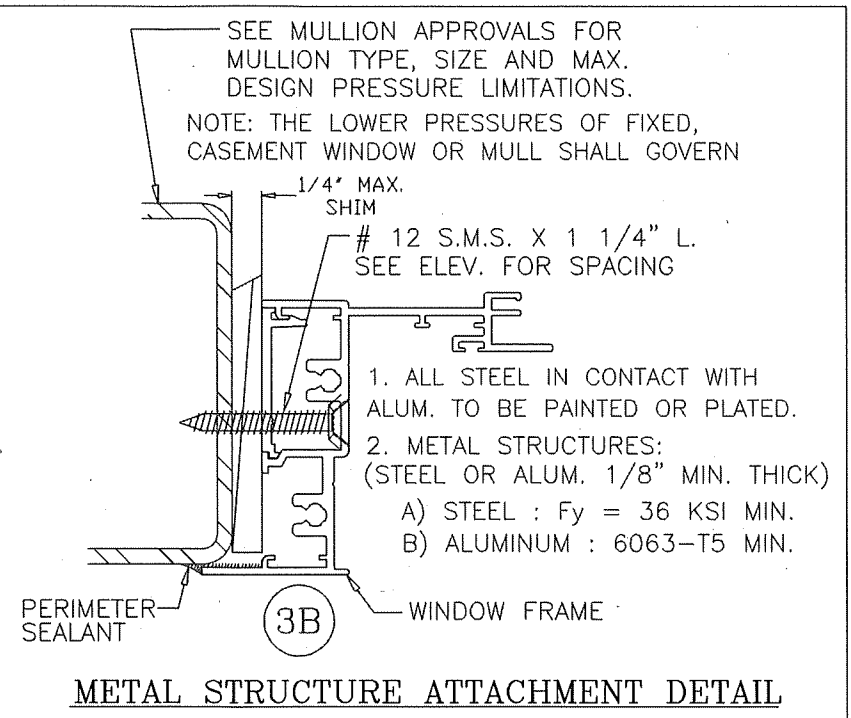
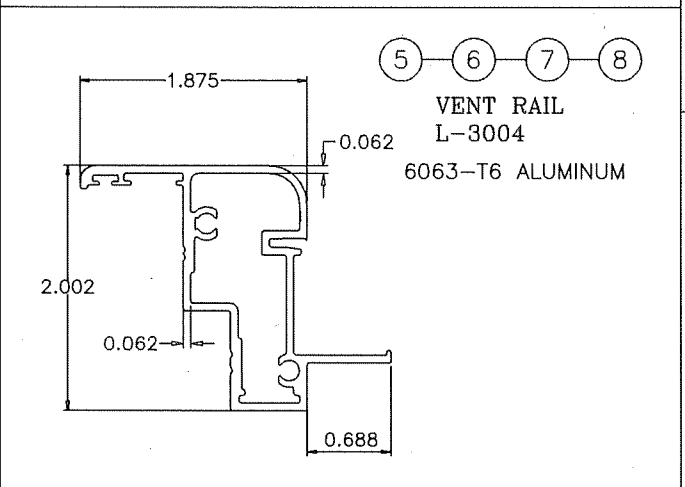
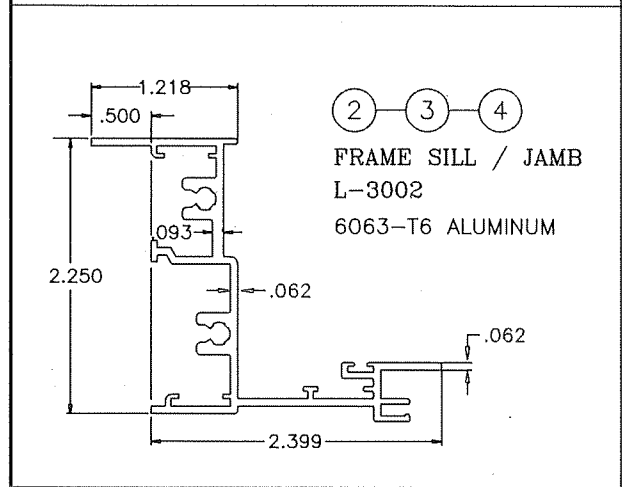
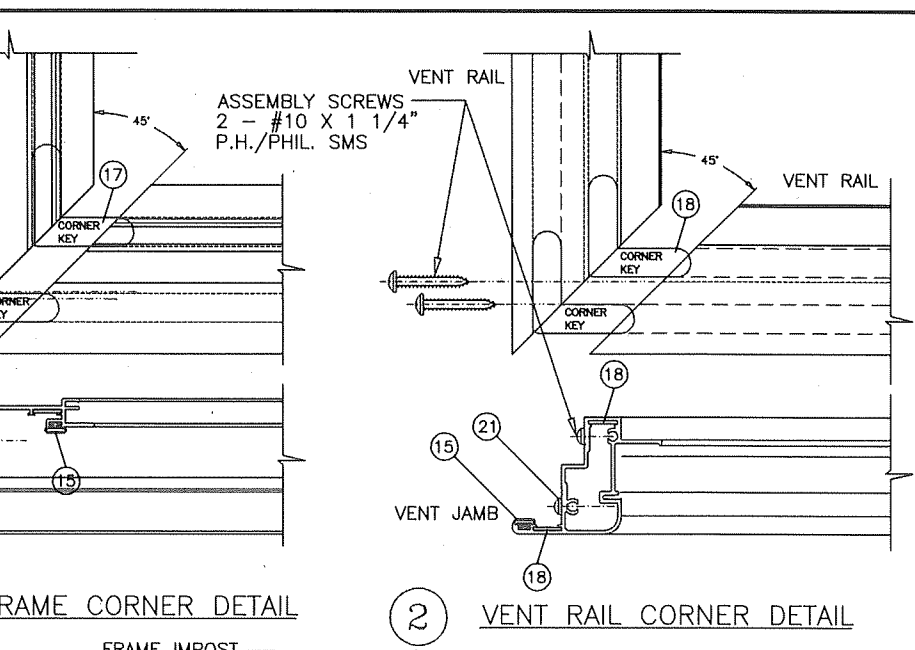
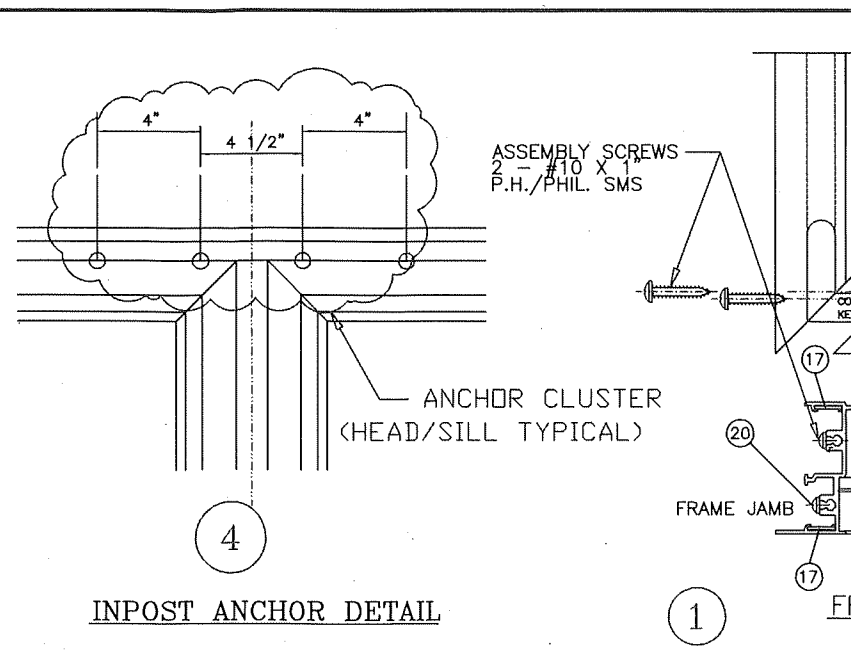
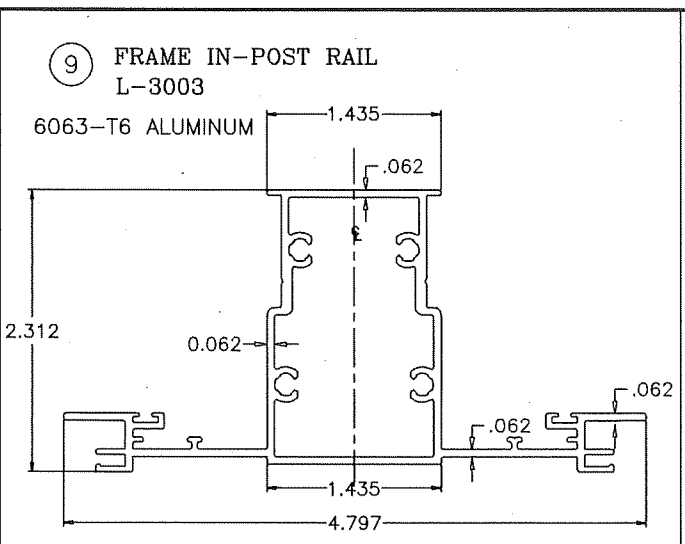
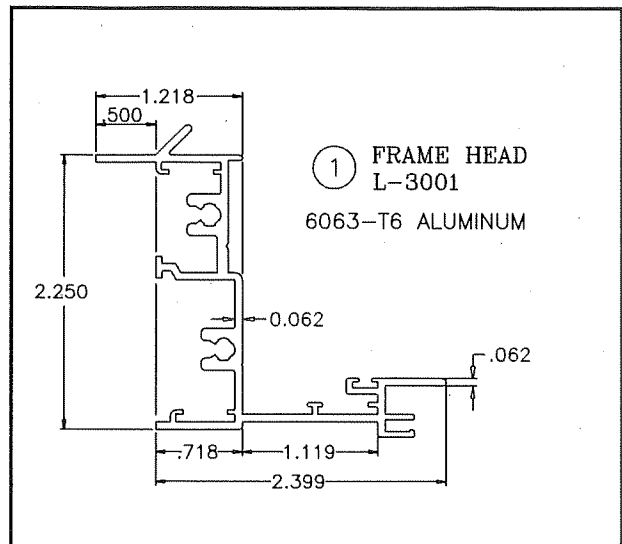
MANUFACTURER OF QUALITY ALUMINUM WINDOWS AND GLASS DOORS

Draw Class: NOA	Part Class: ASSEMBLY	Prod Category: WINDOW	Series/Model: 3200	Item Reference #: LCN0A 08-01	Revision #:
-----------------	----------------------	-----------------------	--------------------	-------------------------------	-------------

Series: 3200 Outswing Impact Casement Window  
GLASS & DP CHARTS AND GLAZING DETAILS FOR "XX-OX-XO" UNITS

Product Reference Number: CASEMENT3200-08NOA-01	Drawing Number: L3200-0801	Sheet: 6 OF 7
---	----------------------------	---------------





THOMAS J. SOTOS  
PROFESSIONAL ENGINEER  
FL LIC. # 55225

THOMAS J. SOTOS  
LICENSE  
No 55225  
STATE OF FLORIDA  
PROFESSIONAL ENGINEER

Revision Notes:

- Renewal and Revision to sheet 5 & 6 of 7
- Revised to Comply w/ 2014 FBC
- Revised to Comply w/ 2017 FBC
- Revised and Updated per FTL Test #10570
- Revised to Comply w/ 2020 FBC
- Revised to Comply w/ 2023 FBC

Drawn By: N. ERAZO Date Drawn: 07/27/08  
Revised By: N. ERAZO Date Revised: 09/29/23  
Revision Level: G Scale:

**PRODUCT RENEWED**  
As complying with the Florida Building Code  
NOA-No. **24-0116.04**  
Expiration Date: **03/04/2029**  
By: *Manuel Perez*  
Miami-Dade Product Control

**PRODUCT REVISED**  
As complying with the Florida Building Code  
NOA-No. **23-1010.05**  
Expiration Date: **03/04/2024**  
By: *Manuel Perez*  
Miami-Dade Product Control

**LAWSON INDUSTRIES, INC.**  
MANUFACTURER OF QUALITY ALUMINUM WINDOWS AND GLASS DOORS

8501 N.W. 90 ST.  
MEDLEY, FLORIDA 33166  
PH No. (305) 696-8660

Draw Class:	Part Class:	Prod Category:	Series/Model:	Item Reference #:	Revision #:
NOA	ASSEMBLY	WINDOW	3200	LCNOA 08-01	

Series: 3200 Outswing Impact Casement Window  
EXTRUSION CROSS-SECTIONS, & ASSEMBLY DETAILS

Product Reference Number: CASEMENT3200-08NOA-01 Drawing Number: L3200-0801 Sheet: 7 OF 7