



MIAMI-DADE COUNTY, FLORIDA
PRODUCT CONTROL SECTION
 11805 SW 26 Street, Room 208
 Miami, Florida 33175-2474
 T (786) 315-2590 F (786) 315-2599
www.miamidade.gov/building

**DEPARTMENT OF REGULATORY AND ECONOMIC RESOURCES (RER)
 BOARD AND CODE ADMINISTRATION DIVISION
 NOTICE OF ACCEPTANCE (NOA)**

Lawson Industries, Inc.
8501 NW 90th Street
Medley, FL 33166

SCOPE:

This NOA is being issued under the applicable rules and regulations governing the use of construction materials. The documentation submitted has been reviewed and accepted by Miami-Dade County RER-Product Control Section to be used in Miami-Dade County and other areas where allowed by the Authority Having Jurisdiction (AHJ).

This NOA shall not be valid after the expiration date stated below. The Miami-Dade County Product Control Section (In Miami-Dade County) and/or the AHJ (in areas other than Miami-Dade County) reserve the right to have this product or material tested for quality assurance purposes. If this product or material fails to perform in the accepted manner, the manufacturer will incur the expense of such testing and the AHJ may immediately revoke, modify, or suspend the use of such product or material within their jurisdiction. RER reserves the right to revoke this acceptance, if it is determined by Miami-Dade County Product Control Section that this product or material fails to meet the requirements of the applicable building code.

This product is approved as described herein, and has been designed to comply with the Florida Building Code, including the High Velocity Hurricane Zone.

DESCRIPTION: Series “2200 La Porte” 8’-0” Outswing Glazed Aluminum French Door – L.M.I.

APPROVAL DOCUMENT: Drawing No. **FD-2003**, titled “La Porte Impact French Out-Swing Door”, sheets 1 through 6 of 6, dated 01/27/11, with revision **I** dated 10/06/23, prepared by manufacturer, signed and sealed by Thomas J. Sotos, P.E., bearing the Miami-Dade County Product Control Revision stamp with the Notice of Acceptance number and expiration date by the Miami-Dade County Product Control Section.

MISSILE IMPACT RATING: Large and Small Missile Impact Resistant.

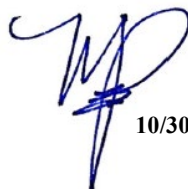
LIMITATIONS:

1. See Design Pressure (DP) VS door sizes and glazing in sheet **2**. See lock option VS DP in sheet **3**.
2. See glazing details in sheet **5**. For glazing detail #2, the 1/8” temp lite is oriented at exterior side in insulated/laminated glass make-up.
3. Applicable door egress requirement to be reviewed by Building Official.

LABELING: Each unit shall bear a permanent label with the manufacturer's name or logo, city, state and series and following statement: "Miami-Dade County Product Control Approved", unless otherwise noted herein.

RENEWAL of this NOA shall be considered after a renewal application has been filed and there has been no change in the applicable building code negatively affecting the performance of this product.




 10/30/23

NOA No. 23-1012.03
Expiration Date: June 05, 2028
Approval Date: November 09, 2023
 Page 1



MIAMI-DADE COUNTY, FLORIDA
PRODUCT CONTROL SECTION
 11805 SW 26 Street, Room 208
 Miami, Florida 33175-2474
 T (786) 315-2590 F (786) 315-2599
www.miamidade.gov/building

DEPARTMENT OF REGULATORY AND ECONOMIC RESOURCES (RER)
 BOARD AND CODE ADMINISTRATION DIVISION
NOTICE OF ACCEPTANCE (NOA)


Lawson Industries, Inc.
 8501 NW 90th Street
 Medley, FL 33166

TERMINATION of this NOA will occur after the expiration date or if there has been a revision or change in the materials, use, and/ or manufacture of the product or process. Misuse of this NOA as an endorsement of any product, for sales, advertising or any other purposes shall automatically terminate this NOA. Failure to comply with any section of this NOA shall be cause for termination and removal of NOA.

ADVERTISEMENT: The NOA number preceded by the words Miami-Dade County, Florida, and followed by the expiration date may be displayed in advertising literature. If any portion of the NOA is displayed, then it shall be done in its entirety.

INSPECTION: A copy of this entire NOA shall be provided to the user by the manufacturer or its distributors and shall be available for inspection at the job site at the request of the Building Official. This NOA **revises NOA No. 23-0511.01** and consists of these pages 1 and 2, and evidence pages E-1, E-2, E-3 and E-4 as well as approval document mentioned above. The submitted documentation was reviewed by **Manuel Perez, P.E.**




 10/30/23

NOA No. 23-1012.03
Expiration Date: June 05, 2028
Approval Date: November 09, 2023
 Page 2

Lawson Industries, Inc.

NOTICE OF ACCEPTANCE: EVIDENCE SUBMITTED

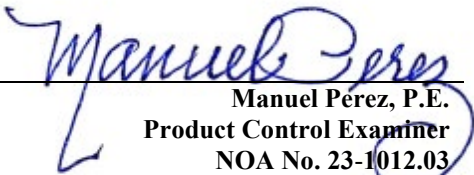
1. EVIDENCE SUBMITTED UNDER PREVIOUS NOA's

A. DRAWINGS

1. Manufacturer's die drawings and sections.
(Submitted under NOA No. 11-0202.03)
2. Drawing No. **FD-2003**, titled "La Porte Impact French Out-Swing Door (L.M.I.)", sheets 1 through 6 of 6, dated 12/12/02, with revision **H** dated 08/03/20, prepared by manufacturer, signed and sealed by Thomas J. Sotos, P.E.
(Submitted under NOA No. 23-0511.01)

B. TESTS

1. Test reports on: 1) Large Missile Impact Test per FBC, TAS 201-94
2) Cyclic Wind Pressure Loading per FBC, TAS 203-94
along with marked-up drawings and installation diagram of an aluminum outswing french door, prepared by Hurricane Engineering & Testing, Inc., Test Report No. **HETI-11-3201**, dated 01/06/11, signed and sealed by Candido F. Font, P.E.
(Submitted under NOA No. 11-0202.03)
2. Test reports on: 1) Uniform Static Air Pressure Test, Loading per FBC TAS 202-94
2) Large Missile Impact Test per FBC, TAS 201-94
3) Cyclic Wind Pressure Loading per FBC, TAS 203-94
along with marked-up drawings and installation diagram of an aluminum outswing french door, prepared by Hurricane Engineering & Testing, Inc., Test Reports No. **HETI-09-2623**, **HETI-09-2624**, and **HETI-09-2646**, dated 10/22/09, signed and sealed by Candido F. Font, P.E.
(Submitted under NOA No. 10-0128.04)
3. Test reports on: 1) Air Infiltration Test, per FBC, TAS 202-94
2) Uniform Static Air Pressure Test, Loading per FBC, TAS 202-94
3) Water Resistance Test, per FBC, TAS 202-94
4) Forced Entry Test, per FBC 2411.3.2.1, and TAS 202-94
along with marked-up drawings and installation diagram of an aluminum outswing french door, prepared by Hurricane Engineering & Testing, Inc., Test Reports No. **HETI-04-1897**, **HETI-04-1896A**, **HETI-04-1896B** and **HETI-04-1377**, dated 03/08/04 and 03/12/04, all signed and sealed by Rafael E. Droz-Seda, P.E.
(Submitted under NOA No. 04-0607.04)
4. Test reports on: 1) Tensile Test per FBC, ASTM E-8
along with marked-up drawings and installation diagram of an aluminum outswing french door, prepared by Hurricane Engineering & Testing, Inc., Test Reports No. **HETI-02-T095** and **HETI-02-T090**, dated 01/13/03, both signed and sealed by Rafael E. Droz-Seda, P.E.
(Submitted under NOA No. 03-0219.01)


Manuel Pérez, P.E.
Product Control Examiner
NOA No. 23-1012.03
Expiration Date: June 05, 2028
Approval Date: November 09, 2023

Lawson Industries, Inc.

NOTICE OF ACCEPTANCE: EVIDENCE SUBMITTED

1. EVIDENCE SUBMITTED UNDER PREVIOUS NOA's (CONTINUED)

B. TESTS (CONTINUED)

5. Test reports on: 1) Air Infiltration Test, per FBC, TAS 202-94
2) Uniform Static Air Pressure Test, Loading per FBC, TAS 202-94
3) Water Resistance Test, per FBC, TAS 202-94
4) Large Missile Impact Test per FBC, TAS 201-94
5) Cyclic Wind Pressure Loading per FBC, TAS 203-94
6) Forced Entry Test, per FBC 2411.3.2.1, and TAS 202-94
along with marked-up drawings and installation diagram of an aluminum outswing french door, prepared by Hurricane Engineering & Testing, Inc., Test Reports No. **HETI-02-1253, HETI-02-1726, HETI-02-1728, HETI-02-1736, HETI-02-1742, HETI-02-1763 and HETI-02-1765**, dated 01/14/03, all signed and sealed by Rafael E. Droz-Seda, P.E.
(Submitted under NOA No. 03-0219.01)

C. CALCULATIONS

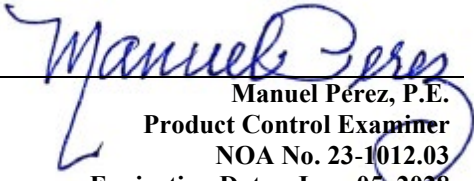
1. Anchor verification calculations and structural analysis, complying with **FBC**, dated 12/12/02 and revised on 07/02/10, prepared by manufacturer, signed and sealed by Thomas J. Sotos, P.E.
(Submitted under NOA No. 10-0128.04)
2. Glazing complies with **ASTM E 1300-04/09**.

D. QUALITY ASSURANCE

1. Miami-Dade Department of Regulatory and Economic Resources (RER)

E. MATERIAL CERTIFICATIONS

1. Notice of Acceptance No. **17-0808.02** issued to **Kuraray America, Inc.** for their "**SentryGlas® (Clear and White) Glass Interlayers**" dated 12/28/17, expiring on 07/04/23.
2. Notice of Acceptance No. **19-0305.02** issued to **Kuraray America, Inc.** for their "**Trosifol® Ultraclear, Clear and Color PVB Glass Interlayers**" dated 05/09/19, expiring on 07/08/24.
3. Notice of Acceptance No. **21-0216.01** issued to **Eastman Chemical Company (MA)** for their "**Saflex PVB Interlayers - Clear and Colored for Glass**" dated 04/29/21, expiring on 05/21/26.


Manuel Pérez, P.E.
Product Control Examiner
NOA No. 23-1012.03
Expiration Date: June 05, 2028
Approval Date: November 09, 2023

Lawson Industries, Inc.

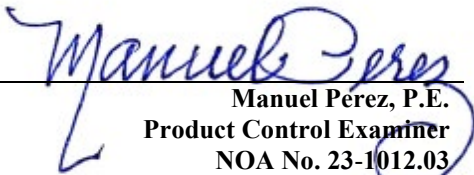
NOTICE OF ACCEPTANCE: EVIDENCE SUBMITTED

1. EVIDENCE SUBMITTED UNDER PREVIOUS NOA's (CONTINUED)
F. STATEMENTS

1. Statement letter of conformance to and complying with **FBC 7th Edition (2020)**, dated May 10, 2023, issued by manufacturer, signed and sealed by Thomas J. Sotos, P.E.
(Submitted under NOA No. 23-0511.01)
2. Email dated 05/20/23 correspondence between RER and Tom Sotos, P.E. (Lawson)
(Submitted under NOA No. 23-0511.01)
3. Statement letter of conformance to and complying with **FBC 7th Edition (2020)**, and of no financial interest dated August 03, 2020, issued by manufacturer, signed and sealed by Thomas J. Sotos, P.E.
(Submitted under NOA No. 20-0901.11)
4. Proposal issued by Product Control, dated 07/27/10, signed by Ishaq Chanda, P.E.
(Submitted under NOA No. 11-0202.03)
5. Laboratory compliance letters for Test Reports No. **HETI-11-3201** dated 01/06/11, issued by Hurricane Engineering & Testing, Inc., all signed and sealed by Candido F. Font, P.E.
(Submitted under NOA No. 11-0202.03)
6. Proposal issued by Product Control, dated 03/26/09, signed by Renzo Narciso.
(Submitted under NOA No. 10-0128.04)
7. Laboratory compliance letters for Test Reports No. **HETI-09-2623, HETI-09-2645, HETI-09-2624, and HETI-09-2646** dated 10/22/09, issued by Hurricane Engineering & Testing, Inc., all signed and sealed by Candido F. Font, P.E.
(Submitted under NOA No. 10-0128.04)
8. Laboratory compliance letters for Test Reports No. **HETI-04-1897, HETI-04-1896A, HETI-04-1896B, HETI-04-1377, HETI-02-T095, HETI-02-T090, HETI-02-1253, HETI-02-1726, HETI-02-1728, HETI-02-1736, HETI-02-1742, HETI-02-1763, and HETI-02-1765** dated 01/14/03 and 03/08/04, issued by Hurricane Engineering & Testing, Inc., all signed and sealed by Rafael E. Droz-Seda, P.E.
(Submitted under NOA No. 05-1116.06)

G. OTHERS

1. Notice of Acceptance No. **20-0901.11**, issued to Lawson Industries, Inc. for their Series "La Porte" 8'-0" Outswing Glazed Aluminum French Doors – L.M.I., approved on 12/17/20 and expiring on 06/05/23.



Manuel Pérez, P.E.
Product Control Examiner
NOA No. 23-1012.03
Expiration Date: June 05, 2028
Approval Date: November 09, 2023

Lawson Industries, Inc.

NOTICE OF ACCEPTANCE: EVIDENCE SUBMITTED

2. NEW EVIDENCE SUBMITTED

A. DRAWINGS

1. Drawing No. **FD-2003**, titled “La Porte Impact French Out-Swing Door (L.M.I.)”, sheets 1 through 6 of 6, dated 12/12/02, with revision **I** dated 10/06/23, prepared by manufacturer, signed and sealed by Thomas J. Sotos, P.E.

B. TESTS

1. Test reports on: 1) Uniform Static Air Pressure Test, Loading per FBC TAS 202-94
2) Large Missile Impact Test per FBC, TAS 201-94
3) Cyclic Wind Pressure Loading per FBC, TAS 203-94
along with marked-up drawings and installation diagram of a series 2200 La Porte aluminum outswing french door, prepared by QAI Laboratories, Inc., Test Report No. **QAI-13958**, dated 09/29/23, signed and sealed by Idalmis Ortega, P.E.

C. CALCULATIONS

1. None

D. QUALITY ASSURANCE

1. Miami-Dade Department of Regulatory and Economic Resources (RER)

E. MATERIAL CERTIFICATIONS

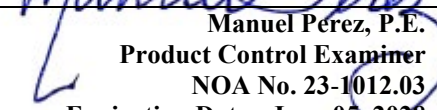
1. Notice of Acceptance No. **22-1116.01** issued to **Kuraray America, Inc.** for their “**SentryGlas® (Clear and White) Glass Interlayers**” dated 12/15/22, expiring on 07/04/28.
2. Notice of Acceptance No. **20-0915.22** issued to **Kuraray America, Inc.** for their “**Trosifol® Ultraclear, Clear and Color PVB Glass Interlayers**” dated 11/19/20, expiring on 07/08/24.
3. Notice of Acceptance No. **21-0216.01** issued to **Eastman Chemical Company (MA)** for their “**Saflex PVB Interlayers - Clear and Colored for Glass**” dated 04/29/21, expiring on 05/21/26.

F. STATEMENTS

1. Statement letter of conformance, complying with **FBC 8th Edition (2023)** dated October 10, 2023, issued by manufacturer, signed and sealed by Thomas J. Sotos P.E.
2. Statement letter of no financial interest dated October 10, 2023, issued by manufacturer, signed and sealed by Thomas J. Sotos, P.E.
3. Proposal No. **23-0460** issued by Product Control, dated 06/12/23, signed by Ishaq Chanda, P.E.

G. OTHERS

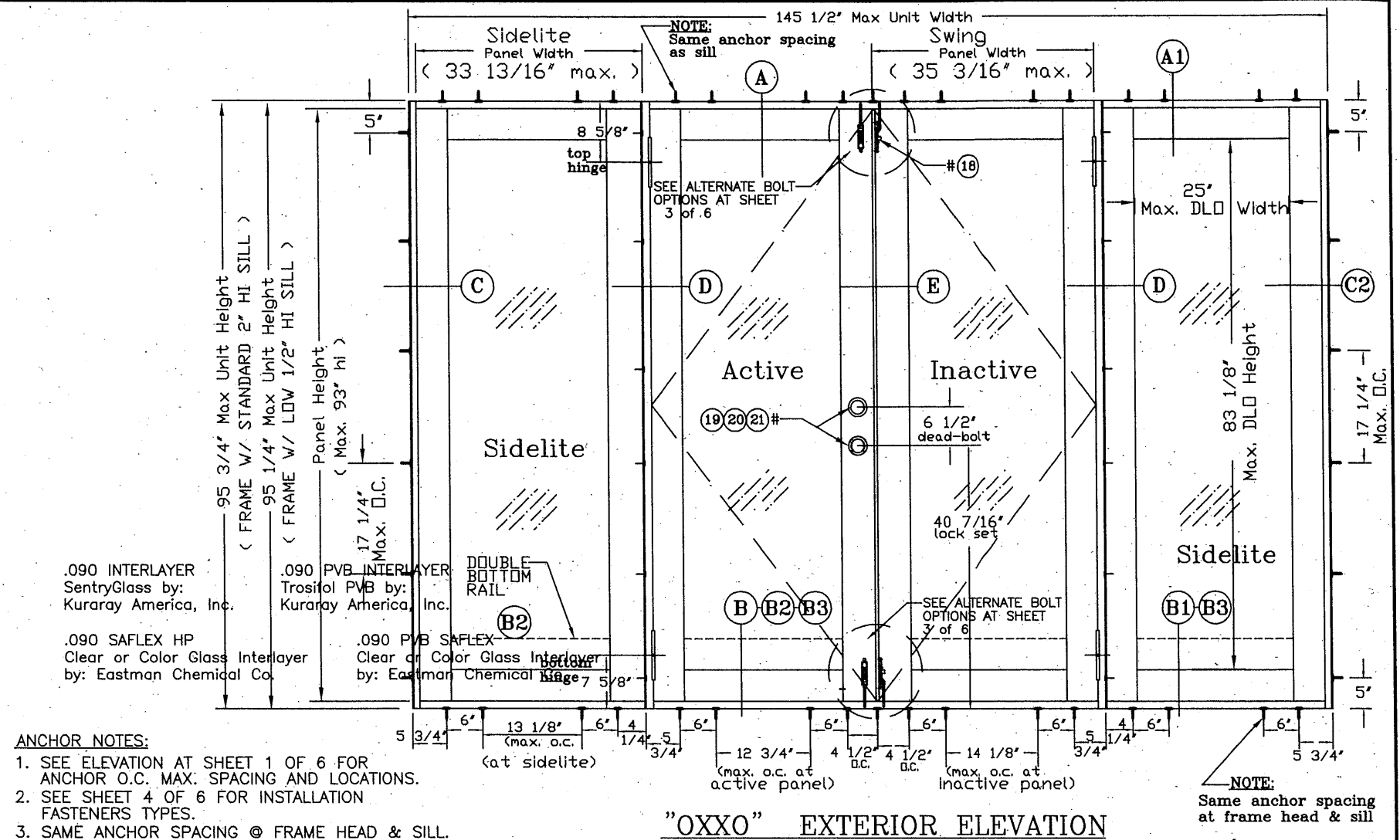
1. Notice of Acceptance No. **23-0511.01**, issued to Lawson Industries, Inc. for their Series “La Porte” 8’-0” Outswing Glazed Aluminum French Doors – L.M.I.”, approved on 05/25/23 and expiring on 06/05/28.



Manuel Pérez, P.E.
Product Control Examiner
NOA No. 23-1012.03
Expiration Date: June 05, 2028
Approval Date: November 09, 2023

IMPACT FRENCH OUT-SWING DOOR BILL OF MATERIALS

ITEM #	DRW'G #	PART #	REQD.	DESCRIPTION	REMARKS
1	L-901	LII-098	1	FRAME HEAD	6063-T6 ALUMINUM
2	L-902	LII-097	1	FRAME SILL	6063-T6 ALUMINUM
3	L-903	LII-090	2	FRAME JAMB	6063-T6 ALUMINUM
4	L-904	LII-096	2	SIDELITE JAMB ADAPTER	6063-T5 ALUMINUM
5	L-906	LII-092	2 x panel	PANEL TOP & BOTTOM RAIL	6063-T6 ALUMINUM
6	L-907	LII-091	1 x panel	HINGE STILE	6063-T6 ALUMINUM
7	L-905	LII-094	1 x panel	LOCK STILE	6063-T6 ALUMINUM
8	L-909	LII-095	2 x panel	TOP & BOTTOM RAIL ADAPTER	6063-T5 ALUMINUM
9	L-911	LII-085	AS REQ'D.	1/4 ROUND ALUM. BEAD - 7/16"	6063-T5 ALUMINUM
10	L-912	LII-087	AS REQ'D.	1/4 ROUND ALUM. BEAD - 3/8"	6063-T5 ALUMINUM
11	FD-624-2	L-908	2 x panel	HINGE LEAF ASSEMBLY	6063-T5 ALUMINUM
12	VWS-001	TP 3286	AS REQ'D.	Bulb Vinyl Wts'p.-Team Plastics, Inc.	See Material Composition at Sheet 6
13	PWS-001	*	AS REQ'D.	WTS'P. @ TOP/BOTT. RAILS	Schlegel FS - .187" w. X .210" h.
14	PWS-002	*	AS REQ'D.	WTS'P. @ FRAME HEAD & JAMB	Schlegel PB - .187" w. X .330" h.
15	L-910	LII-089	2 x panel	STRIKER MOUNTING PLATE	6063-T5 ALUMINUM
16	FD-619	FD-619-1	2 x panel	STRIKER PLATE	6063-T5 ALUMINUM
17	FD-631	LII-086	AS REQ'D.	GLAZING ADAPTER	6063-T6 ALUMINUM
18	HC-001	SF-5502	2 x Panel	DELTA FLUSH BOLT	(@ TOP & BOTTOM OF LOCK STILE)
19	FD-621-2	HC-024/025	1 SET	DOOR LOCK / DEAD BOLT SET	KWIKSET - Series 690T COMBO
20	FD-621-2	HC-024/025	1 SET	DOOR LOCK / DEAD BOLT SET	SCHLAGE - Series FB350 COMBO
21	FD-621-2	HC-024/025	1 SET	DOOR LOCK / DEAD BOLT SET	DEFIANT - Series 831 COMBO
22	*	FS-035	AS REQ'D.	Frame Install. Screw - Head	(See Notes at sheet 4 of 6)
23	*	FS-035	AS REQ'D.	Frame Install. Screw- Jamb/Sill	(See Notes at sheet 4 of 6)
24	*	FS-026	8	FRAME ASSEMBLY SCREW	#12 X 3/4" PH.-PHI.
25	*	FS-012	AS REQ'D.	JAMB ADAPTER SCREW	#10 X 3/4" P.H.-PHI.
26	FD-634	LII-171	AS REQ'D.	1/4 ROUND ALUM. BEAD - 11/16"	6063-T5 ALUMINUM
27	*	FS-043	8	GLAZING ADAPT. ATTACH. SCREW	#8 X 1 1/4" FH.-PHI.
28	*	FS-049	2/Panel	Double Rail Assembly Screw	3/8"x2 1/4" Hex Screw & Nut
29	*	*	AS REQ'D.	NEUTRAL CURE SILICONE	Schnee-Morehead SM-5731
30	*	*	AS REQ'D.	NEUTRAL CURE SILICONE	Dow Corning 899
31	*	*	AS REQ'D.	NEUTRAL CURE SILICONE	Tremco S-500
32	*	*	AS REQ'D.	Laminated Glass see details @ Pg. 5	KURARAY AMERICA - Sentry Glass
33	*	*	AS REQ'D.	Laminated Glass see details @ Pg. 5	KURARAY AMERICA - Trosifol PVB
34	*	*	AS REQ'D.	Laminated Glass see details @ Pg. 5	EASTMAN CHEMICAL - Saflex PVB
35	*	HC-002	2/Panel	PANEL ASS'Y. ALUM. PLATE	1 1/2"x 2"x 1/8" (6063-T5 ALUM.)
36	*	HC-004	2/Panel	Panel Ass'y Full Length Rod	3/8" Dia.-20D Rod, Plate, Flange Nut
37	*	FS-011	8	HINGE ATTACHMENT SCREW	#10 X 3/4" P.H. / PHI.
38	*	FS-044	12	SIDELITE ATTACHMENT SCREW	#10 X 1" PH/PHIL. - (17" DC Max.)
39	HC-006	62PP050BG14	6/Jamb	1/2" Dia. Hole Plug - Nylon 6-6	MICROPLASTICS - Rockwell M-79
40	HC-007	62PP087BG11	2/Panel	7/8" Dia. Hole Plug - Nylon 6-6	MICROPLASTICS - Rockwell M-79
41	*	HC-010	1/BOLT	FLUSH BOLT Sill Plug - Nylon 6-6	SUNCOPLASTICS Inc. Rockwell M-79
42	L-913	LII-086	AS REQ'D.	1/2 ROUND FALSE ALUM. MUNTIN	6063-T5 ALUMINUM
43	*	*	AS REQ'D.	INT FALSE APPLIED MUNTIN	1.25" X .022" STOCK ALUMINUM
44	L-915	FD-623	AS REQ'D.	FRAME HEAD SHEAR PLATE	6063-T5 ALUMINUM - 4' long.
45	L-916	LII-117	AS REQ'D.	FRAME LOW SILL - OPTIONAL	6063-T5 ALUMINUM
46	FD-635	HC-050	1	TWO-POINT FLUSHBOLT LOCK	OPTIONAL (FDR +/- 76.0 psf DP)
47	FD-626	FD-626-1	2/Panel	FLUSH BOLT GUIDE ALUM. ANGLE	1 1/2"x 1 1/2"x 1/8" Alum. 6063-T5
48	FD-627	FD-627-1	2/Panel	2-Point Lock Bolt Guide ANGLE	3"x 3"x 1 1/2"x 1/8" Alum. 6063-T5
49	*	*	AS REQ'D.	Joint Sealant- White Colored	"Purvis Co." Super Seal
50	FD-638	HC-	1 SET	LOCK ACTIVE HANDLE & TRIMSET	ASHLAND #W5201A-A
51	FD-637	HC-	1 SET	MULTI-POINT LOCK ACTIVE	ASHLAND #W5110-STACT5
52	FD-640	HC-	1 SET	LOCK PASSIVE HANDLE & TRIMSET	ASHLAND #W5201A-P
53	FD-639	HC-	1 SET	MULTI-POINT LOCK PASSIVE	ASHLAND #W5110-STPAS4
54	FD-641	HC-	2 x panel	Multi-Point Lock Bolt Guide	NYLON 6-6 Rockwell M scale 79
55	*	FS-	4/Guide	Bolt Guide Attachment Fastener	#6 x 1/2" P.H./PHIL.
56	FD-642	HC-	1 x Lock	Lock Top Mount Adapter	NYLON ADAPTER
57	FD-643	HC-	1 x Lock	Lock Bottom Mount Adapter	NYLON ADAPTER
58	LAW-4205	*	AS REQ'D.	ALUM. BEAD - OPTIONAL 11/16"	6063-T5 ALUMINUM
59	*	*	*	1/4" Insulated Spacer Options	See Glazing Detail #2 @ sheet 5 of 6

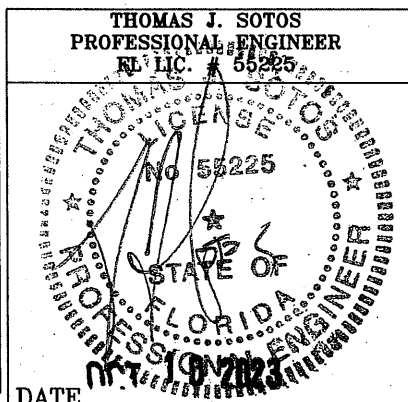


- ANCHOR NOTES:**
- SEE ELEVATION AT SHEET 1 OF 6 FOR ANCHOR O.C. MAX. SPACING AND LOCATIONS.
 - SEE SHEET 4 OF 6 FOR INSTALLATION FASTENERS TYPES.
 - SAME ANCHOR SPACING @ FRAME HEAD & SILL.

- NOTES:**
- QUALIFIES SINGLE & MULTIPLE PANELS (SEE ELEVATIONS).
 - QUALIFIES UNITS WITH AND WITHOUT SIDELITES
 - MAX. FRAME SIZE 145 1/2" w. X 95 3/4" h. OXO
 - EXT & INT FALSE COLONIAL MUNTIN APPLIED W/SILICONE.
 - QUALIFIES SINGLE OR DOUBLE BOTTOM RAILS
 - MAX. DAYLITE OPENING WIDTH = 25"
 - MAX. DAYLITE OPENING HEIGHT = 83 1/8"
 - SEE ELEVATION AT SHEET 1 OF 6 FOR MAX. ANCHOR SPACING
 - ALL DIMENSIONS SPECIFIED ARE IN INCHES
 - NO HURRICANE SHUTTERS ARE REQUIRED

- NOTES:**
- THIS PRODUCT IS DESIGNED AS PER FLORIDA BUILDING CODE (2020-7th EDITION & 2023-8th EDITION).
 - GLASS MEETS REQUIREMENTS OF ASTM-E1300 AS PER CHAPTER 24 OF FBC CODE.
 - 1X OR 2X WOOD BUCKS BY OTHERS, MUST BE ANCHORED PROPERLY TO TRANSFER LOAD TO THE STRUCTURE & TO BE REVIEWED BY BUILDING OFFICIAL.
 - ANCHORS SHALL BE AS LISTED, AND SPACED AS NOTED ABOVE AND ON DRAWING DETAILS. ANCHOR EMBEDMENT TO BASE MATERIAL SHALL BE BEYOND WALL DRESSING OR STUCCO.
 - SEE NOTES @ SHEET 4 OF 6 FOR INTALLATION FASTENERS TYPE.
 - ANCHORING OR LOADING CONDITIONS NOT SHOWN IN THESE DETAILS ARE NOT PART OF THIS APPROVAL

PRODUCT REVISED
 As complying with the Florida Building Code
NOA-No. 23-1012.03
Expiration Date: 06/05/2028
 By: *Manuel Perez*
 Miami-Dade Product Control



Revision Notes:

D) Ashland Multi-Point Lock 01/27/11
E) Revised to comply w/ 2010 FBC
F) Revised to comply w/ 2014 FBC
G) Revised to comply w/ 2017 FBC
H) Revised to comply w/ 2020 FBC
I) Revised to comply w/ 2023 FBC

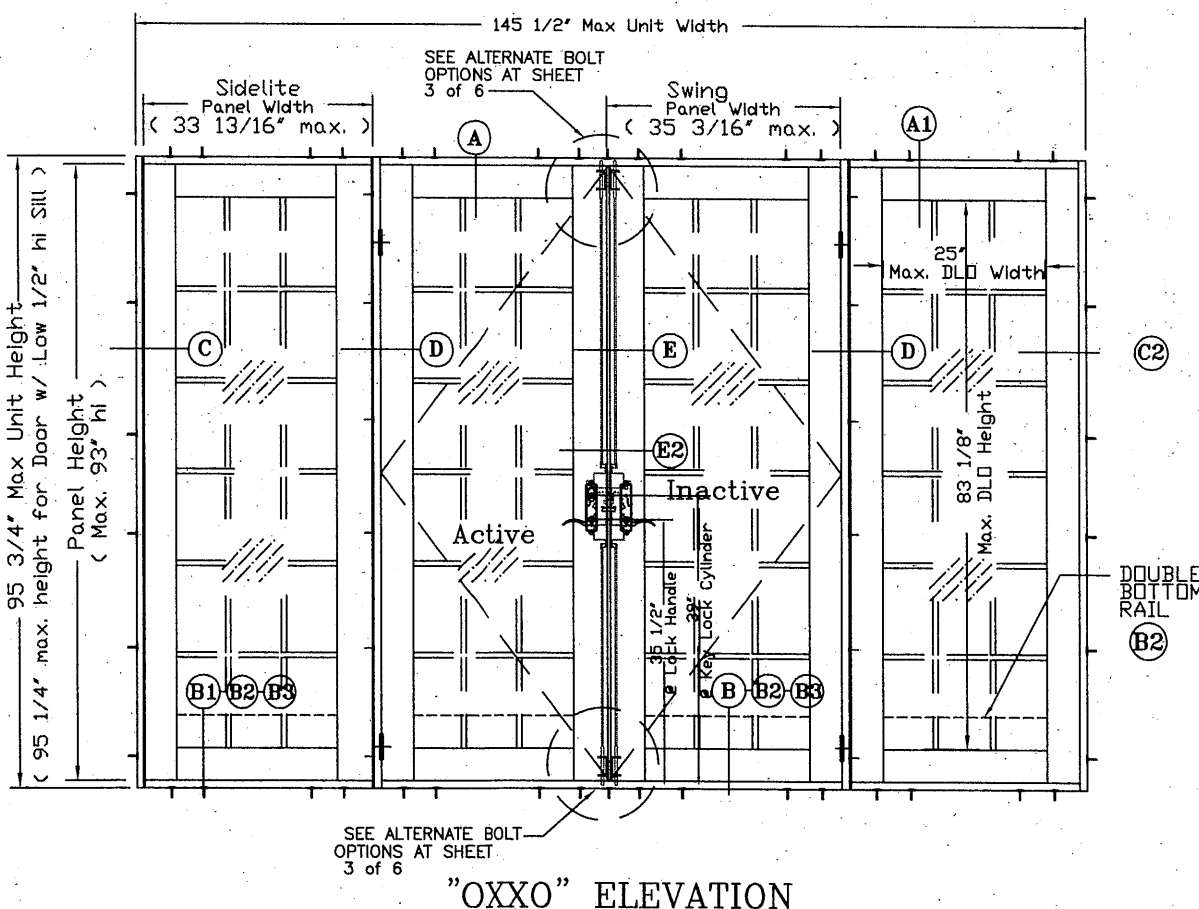
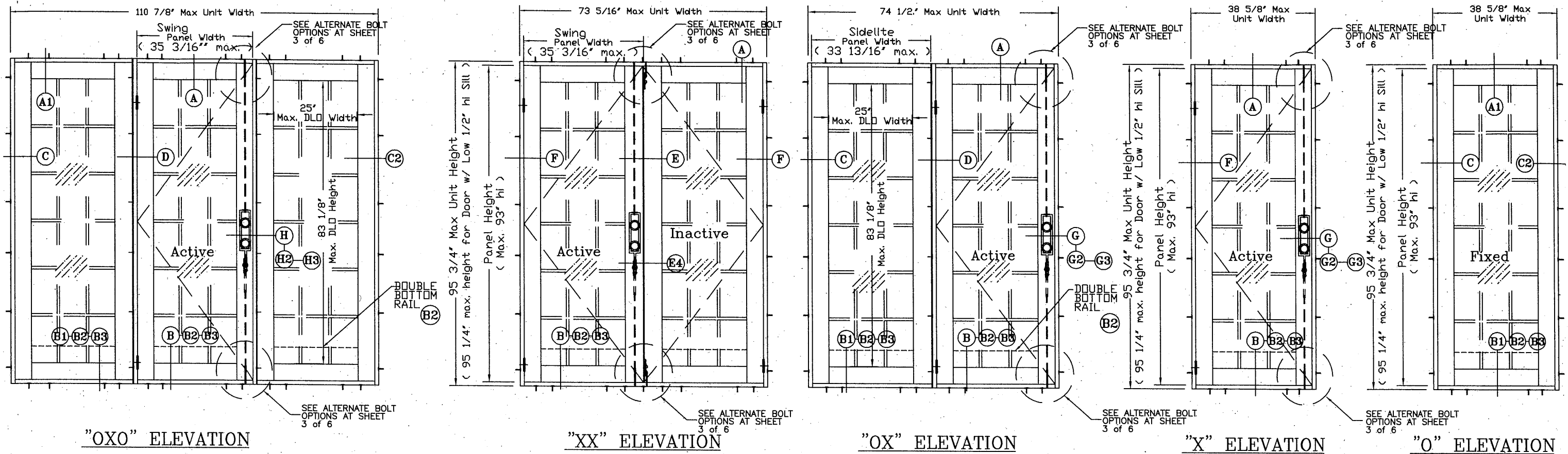
Revised By: Nelson Erazo Date Checked: 11/01/17
 Drawn By: Nelson Erazo Date Drawn: 10/08/23
 Scale: n.t.s.

LAWSON INDUSTRIES, INC.
 MANUFACTURER OF QUALITY ALUMINUM WINDOWS AND GLASS DOORS
 8501 NW 90th St. MEDLEY, FLORIDA 33166 (305) 696-8660

Draw Class: NOA APPROVAL	Part Class:	Prod Category: IMPACT	Series/Model: FRENCH DOOR	Item:	Sheet: 1 OF 6
--------------------------	-------------	-----------------------	---------------------------	-------	---------------

"La Porte" Impact French Out-Swing Door

Reference Number: Drawing Number: FD-2003 Revision Level: I



APPROVED CONFIGURATIONS

- NOTES:
1. ALL ELEVATIONS ARE A GRAPHICAL REPRESENTATION VIEWED FROM THE EXTERIOR SIDE.
 2. FALSE COLONIAL MUNTINS ARE APPLIED W/ SILICONE AND ARE AVAILABLE AS OPTIONAL.
 3. PANELS ARE AVAILABLE WITH SINGLE BOTTOM RAIL OR DOUBLE BOTTOM RAILS.
 4. OUT-SWING DOOR WITHOUT INSECT SCREEN.

"LaPorte" IMPACT FRENCH OUTSWING DOOR - DESIGN LOAD CHART

PANEL WIDTH/HEIGHT ACTUAL SIZE (INCHES)	NUMBER OF ANCHORS /JAMB	DP (PSF) GLASS TYPE "A" & "E" +/- (PSF)	DP (PSF)			
			PANEL WIDTH ACTUAL SIZE (INCHES)	GLASS TYPE "B" & "F" +/- (PSF)	GLASS TYPE "C" +/- (PSF)	GLASS TYPE "D" +/- (PSF)
10 1/4' x 77'	5	+86.0	11 3/16'	+76.0	+76.0	+76.0
16 1/4' x 77'	5	+86.0	17 3/16'	+76.0	+76.0	+76.0
22 1/4' x 77'	5	+86.0	23 3/16'	+76.0	+76.0	+76.0
28 1/4' x 77'	5	+86.0	29 3/16'	+76.0	+76.0	+76.0
30 1/4' x 77'	5	+86.0	31 3/16'	+76.0	+76.0	+76.0
34 1/4' x 77'	5	+86.0	35 3/16'	+76.0	+76.0	+76.0
10 1/4' x 93'	6	+86.0	11 3/16'	+76.0	+76.0	+76.0
16 1/4' x 93'	6	+86.0	17 3/16'	+76.0	+76.0	+76.0
22 1/4' x 93'	6	+86.0	23 3/16'	+76.0	+76.0	+76.0
28 1/4' x 93'	6	+86.0	29 3/16'	+76.0	+76.0	+76.0
30 1/4' x 93'	6	+86.0	31 3/16'	+76.0	+76.0	+76.0
34 1/4' x 93'	6	+86.0	35 3/16'	+76.0	+76.0	+76.0

PRODUCT REVISED
As complying with the Florida Building Code
NOA-No. **23-1012.03**
Expiration Date: **06/05/2028**
By: *Manuel Perez*
Miami-Dade Product Control

THOMAS J. SOTOS
PROFESSIONAL ENGINEER
FL. LIC. # 55225

DATE

Revision Notes:

- D) Ashland Multi-Point Lock 01/27/11
- E) Revised to comply w/ 2010 FBC
- F) Revised to comply w/ 2014 FBC
- G) Revised to comply w/ 2017 FBC
- H) Revised to comply w/ 2020 FBC
- I) Revised to comply w/ 2023 FBC

Revised By: Nelson Erazo Date Checked: 11/01/17
Drawn By: Nelson Erazo Date Drawn: 10/06/23
Scale: n.t.s.

LAWSON INDUSTRIES, INC.

8501 NW 90th St.
MEDLEY, FLORIDA 33166
(305) 696-8660

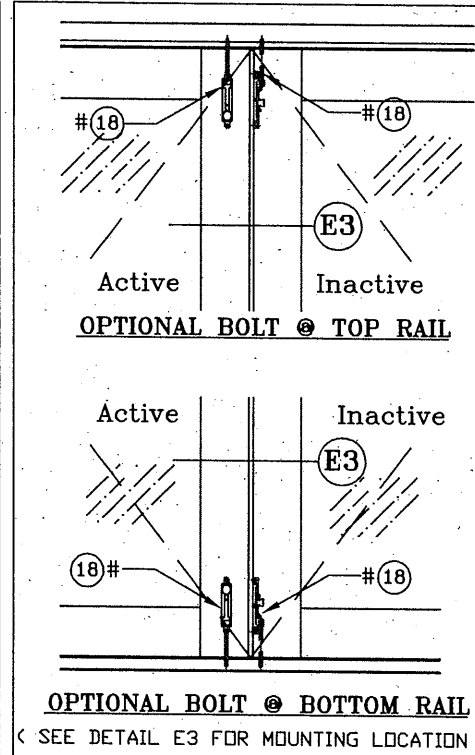
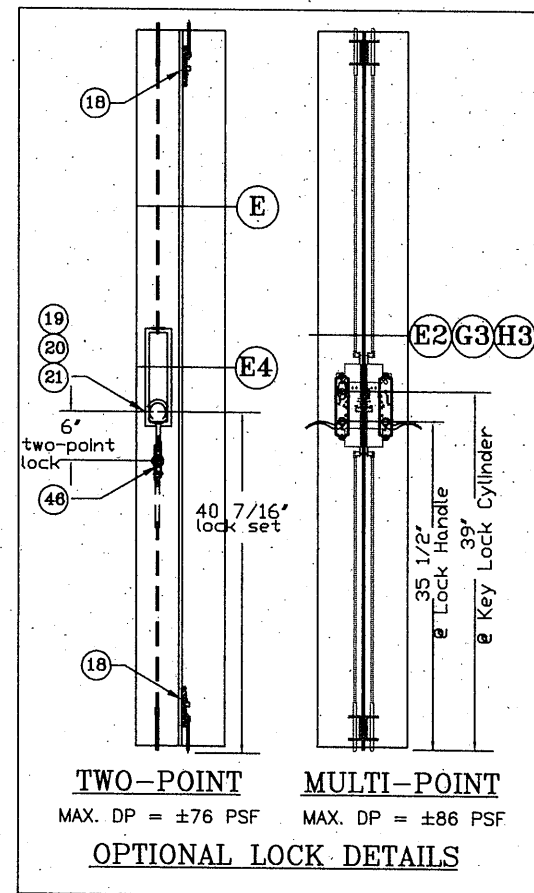
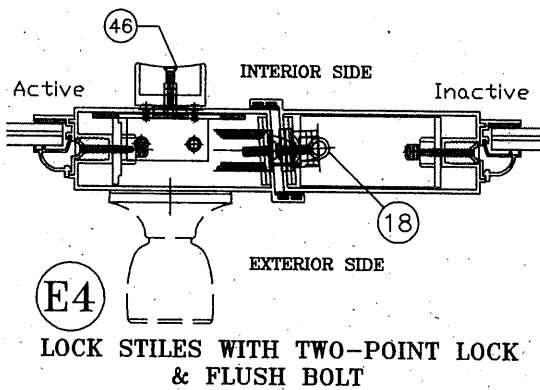
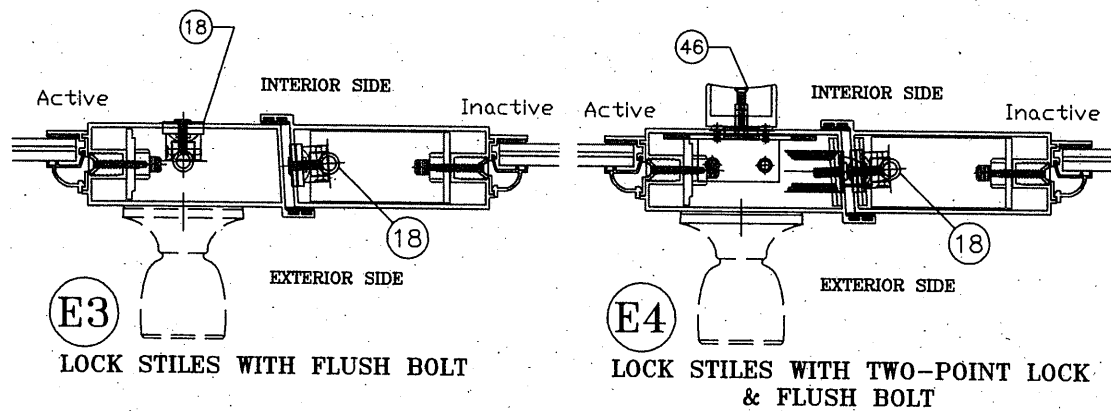
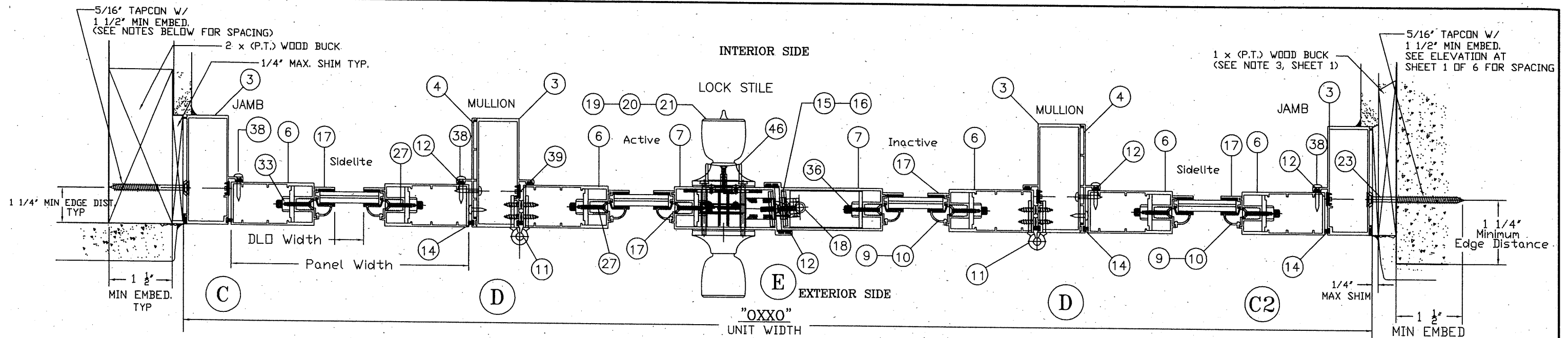
MANUFACTURER OF QUALITY ALUMINUM WINDOWS AND GLASS DOORS

Draw Class: NOA APPROVAL Part Class: Prod Category: IMPACT Series/Model: FRENCH DOOR Item: Sheet: 2 OF 6

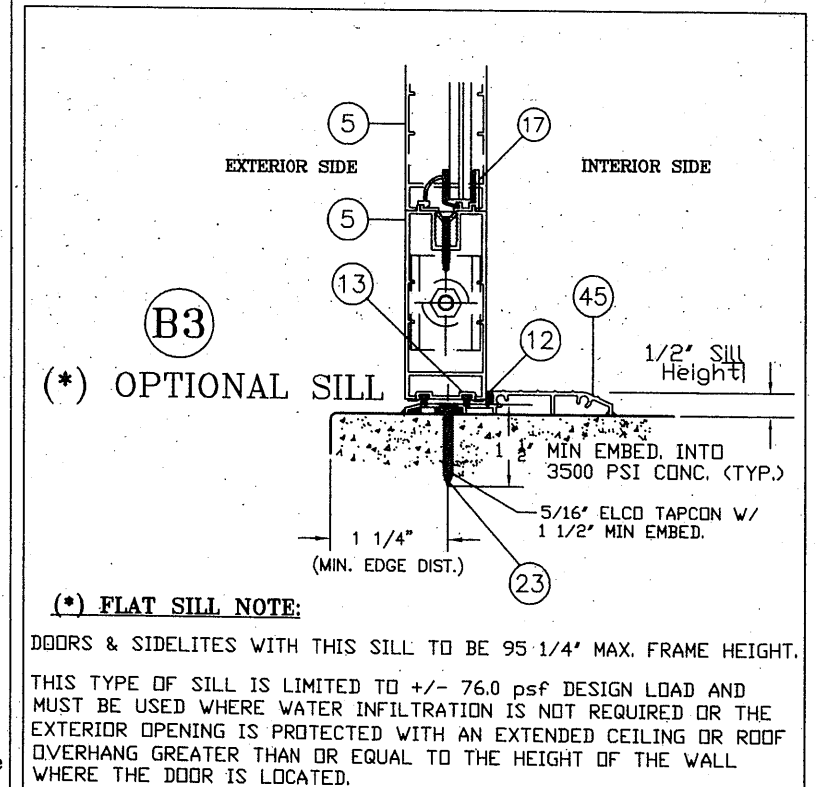
"La Porte" Impact French Out-Swing Door

Reference Number: Drawing Number: FD-2003 Revision Level: I

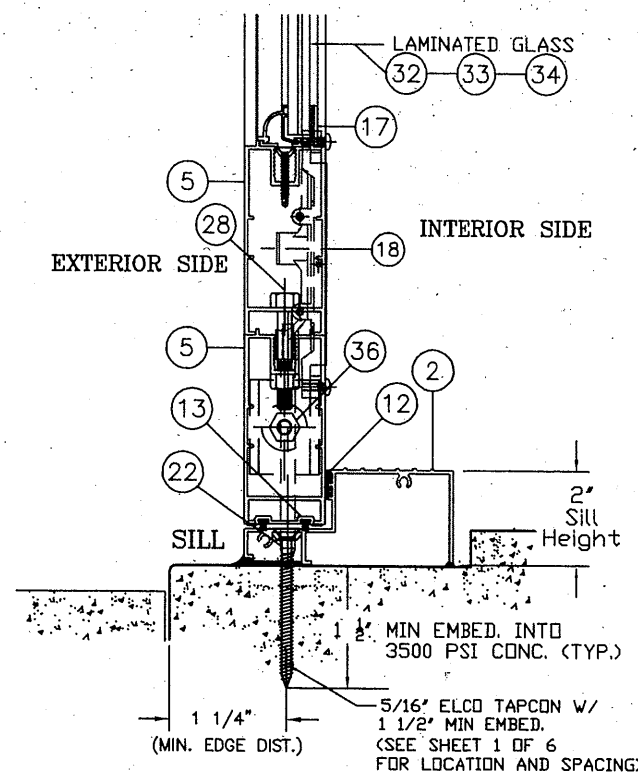
- ANCHOR NOTES:
1. SEE ELEVATION AT SHEET 1 OF 6 FOR ANCHOR O.C. MAX. SPACING AND LOCATIONS.
 2. SEE SHEET 4 OF 6 FOR INSTALLATION FASTENERS TYPES.



ANCHOR NOTES:
1. SEE ELEVATION AT SHEET 1 OF 6 FOR ANCHOR O.C. MAX. SPACING AND LOCATIONS.
2. SEE SHEET 4 OF 6 FOR INSTALLATION FASTENERS TYPES.



(*) FLAT SILL NOTE:
DOORS & SIDELITES WITH THIS SILL TO BE 95 1/4" MAX. FRAME HEIGHT. THIS TYPE OF SILL IS LIMITED TO +/- 76.0 psf DESIGN LOAD AND MUST BE USED WHERE WATER INFILTRATION IS NOT REQUIRED OR THE EXTERIOR OPENING IS PROTECTED WITH AN EXTENDED CEILING OR ROOF OVERHANG GREATER THAN OR EQUAL TO THE HEIGHT OF THE WALL WHERE THE DOOR IS LOCATED.



PRODUCT REVISED
As complying with the Florida Building Code
NOA-No. **23-1012.03**
Expiration Date: **06/05/2028**
By: *Manuel Perez*
Miami-Dade Product Control

THOMAS J. SOTOS
PROFESSIONAL ENGINEER
FL LIC # 55225
DATE: **OCT 10 2023**

Revision Notes:

D) Ashland Multi-Point Lock 01/27/11
E) Revised to comply w/ 2010 FBC
F) Revised to comply w/ 2014 FBC
G) Revised to comply w/ 2017 FBC
H) Revised to comply w/ 2020 FBC
I) Revised to comply w/ 2023 FBC

Revised By: Nelson Erazo Date Checked: 11/01/17
Drawn By: Nelson Erazo Date Drawn: 10/06/23
Scale: n.t.s.

LAWSON INDUSTRIES, INC.

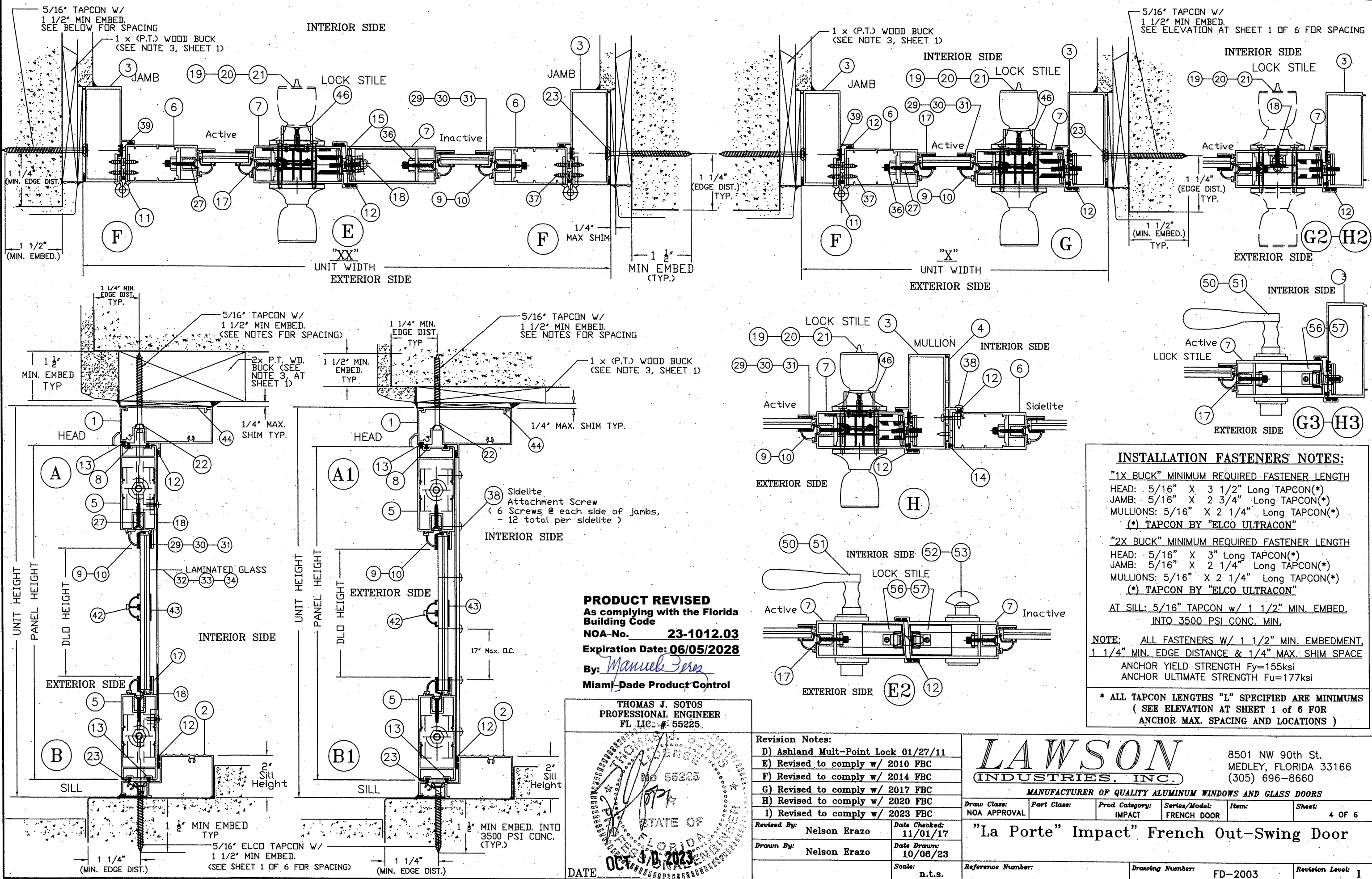
8501 NW 90th St.
MEDLEY, FLORIDA 33166
(305) 696-8660

MANUFACTURER OF QUALITY ALUMINUM WINDOWS AND GLASS DOORS

Draw Class: NOA APPROVAL	Part Class:	Prod Category: IMPACT	Series/Model: FRENCH DOOR	Item:	Sheet: 3 OF 6
--------------------------	-------------	-----------------------	---------------------------	-------	---------------

"La Porte" Impact" French Out-Swing Door

Reference Number: Drawing Number: **FD-2003** Revision Level: **1**



INSTALLATION FASTENERS NOTES:

"1X BUCK" MINIMUM REQUIRED FASTENER LENGTH
 HEAD: 5/16" X 3 1/2" Long TAPCON(*)
 JAMB: 5/16" X 2 3/4" Long TAPCON(*)
 MULLIONS: 5/16" X 2 1/4" Long TAPCON(*)
 (*) TAPCON BY "ELCO ULTRACON"

"2X BUCK" MINIMUM REQUIRED FASTENER LENGTH
 HEAD: 5/16" X 3" Long TAPCON(*)
 JAMB: 5/16" X 2 1/4" Long TAPCON(*)
 MULLIONS: 5/16" X 2 1/4" Long TAPCON(*)
 (*) TAPCON BY "ELCO ULTRACON"

AT SILL: 5/16" TAPCON w/ 1 1/2" MIN. EMBED.
 INTO 3500 PSI CONC. MIN.

NOTE: ALL FASTENERS W/ 1 1/2" MIN. EMBEDMENT,
 1 1/4" MIN. EDGE DISTANCE & 1/4" MAX. SHIM SPACE
 ANCHOR YIELD STRENGTH Fy=155ksi
 ANCHOR ULTIMATE STRENGTH Fu=177ksi

* ALL TAPCON LENGTHS "L" SPECIFIED ARE MINIMUMS
 (SEE ELEVATION AT SHEET 1 OF 6 FOR
 ANCHOR MAX. SPACING AND LOCATIONS)

PRODUCT REVISED
 As complying with the Florida
 Building Code
 NOA-No. **23-1012.03**
 Expiration Date: **06/05/2028**
 By: *Manuel Erazo*
 Miami-Dade Product Control

THOMAS J. SOTOS
 PROFESSIONAL ENGINEER
 FL LIC. # 55225

DATE **OCT 10 2023**

Revision Notes:

D) Ashland Multi-Point Lock 01/27/11
E) Revised to comply w/ 2010 FBC
F) Revised to comply w/ 2014 FBC
G) Revised to comply w/ 2017 FBC
H) Revised to comply w/ 2020 FBC
I) Revised to comply w/ 2023 FBC

Revised By: Nelson Erazo	Date Checked: 11/01/17
Drawn By: Nelson Erazo	Date Drawn: 10/08/23
Scale: n.t.s.	

LAWSON INDUSTRIES, INC.

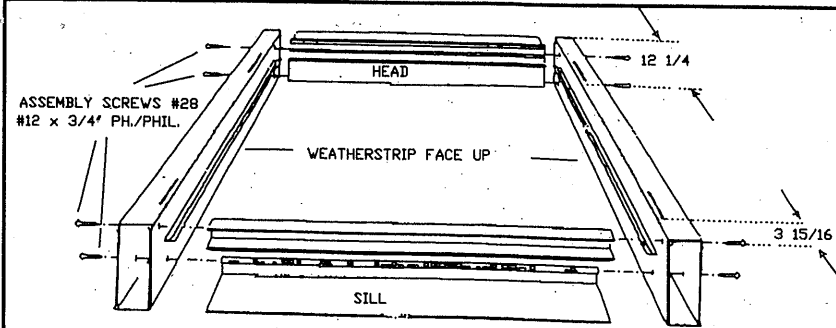
8501 NW 90th St.
 MEDLEY, FLORIDA 33166
 (305) 696-8660

MANUFACTURER OF QUALITY ALUMINUM WINDOWS AND GLASS DOORS

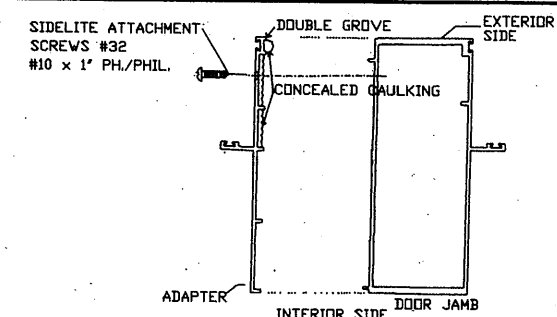
Draw Class: NOA APPROVAL	Part Class:	Prod Category: IMPACT	Series/Model: FRENCH DOOR	Item:	Sheet: 4 OF 6
--------------------------	-------------	-----------------------	---------------------------	-------	---------------

"La Porte" Impact" French Out-Swing Door

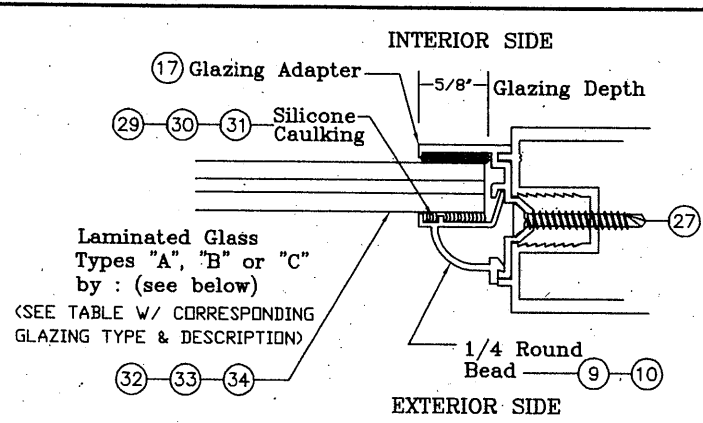
Reference Number: Drawing Number: FD-2003 Revision Level: I



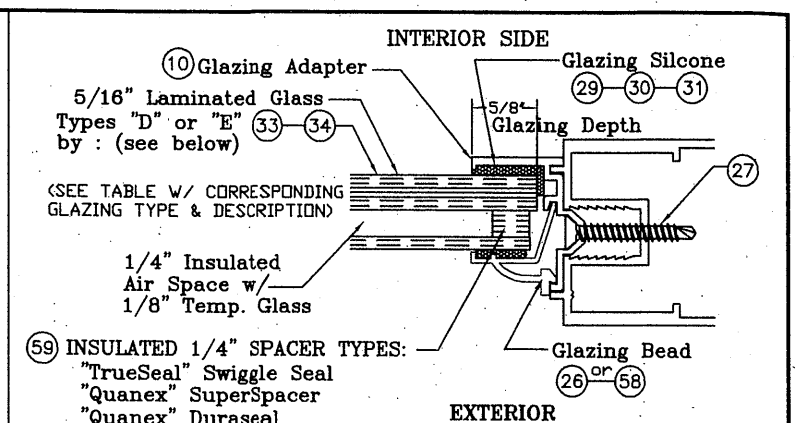
FRAME ASSEMBLY DETAIL



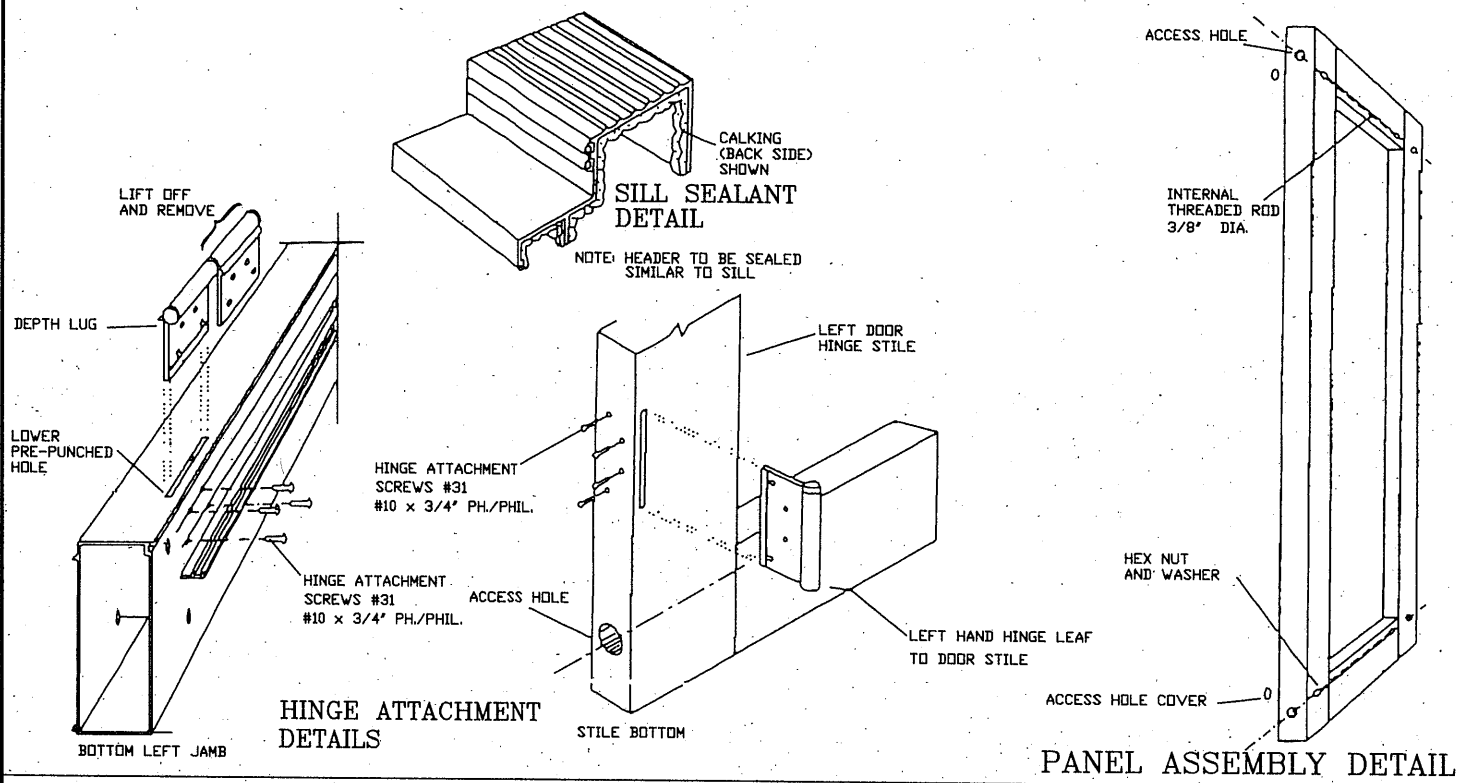
SIDELITE/JAMB ATTACHMENT DETAIL



GLAZING DETAIL #1



GLAZING DETAIL #2



HINGE ATTACHMENT DETAILS

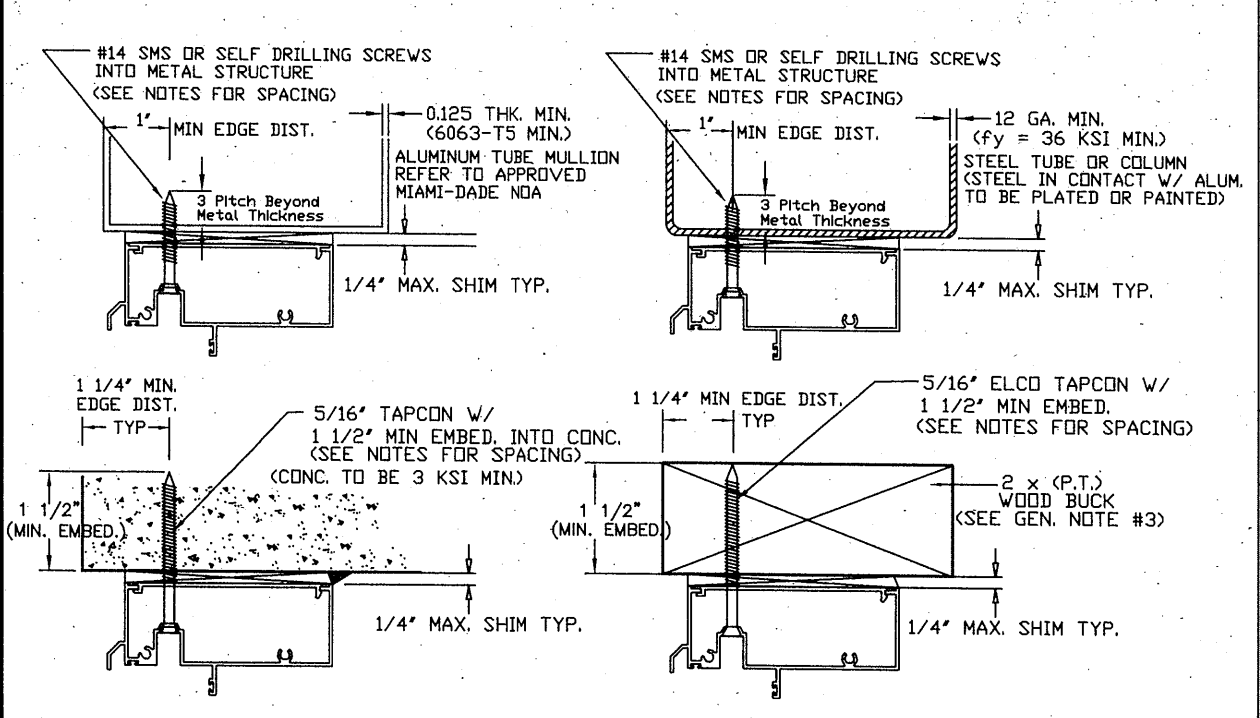
PANEL ASSEMBLY DETAIL

GLAZING TYPE & DESCRIPTIONS

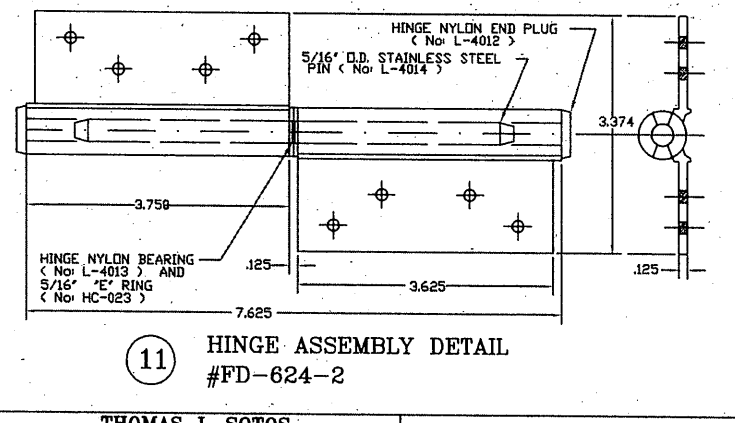
.466" O/A Laminated Glass by Kuraray - Glass Type "A"		
ITEM	DESCRIPTION	DETAIL
1	3/16" Annealed	
2	.090" SentryGlass Interlayer	
3	3/16" Annealed	
.340" O/A Laminated Glass by Kuraray - Glass Type "B"		
ITEM	DESCRIPTION	DETAIL
1	1/8" Annealed	
2	.090" TROSIFOL PVB Interlayer	
3	1/8" Annealed	
.340" O/A Laminated Glass by Eastman - Glass Type "C"		
ITEM	DESCRIPTION	DETAIL
1	1/8" Heat-Strengthened Glass	
2	.090" Saflex PVB Interlayer	
3	1/8" Heat-Strengthened Glass	

GLAZING TYPE & DESCRIPTIONS

.340" O/A Laminated Glass by Eastman - Glass Type "D"		
ITEM	DESCRIPTION	DETAIL
1	1/8" Heat-Strengthened Glass	
2	.090" Saflex PVB Interlayer	
3	1/8" Heat-Strengthened Glass	
4	1/4" INSULATED AIR SPACE	
5	1/8" TEMPERED GLASS	
.340" O/A Laminated Glass by Kuraray - Glass Type "E"		
ITEM	DESCRIPTION	DETAIL
1	1/8" Heat-Strengthened Glass	
2	.090" SentryGlass Interlayer	
3	1/8" Heat-Strengthened Glass	
4	1/4" INSULATED AIR SPACE	
5	1/8" TEMPERED GLASS	
.340" O/A Laminated Glass by Kuraray - Glass Type "F"		
ITEM	DESCRIPTION	DETAIL
1	1/8" Heat-Strengthened Glass	
2	.090" TROSIFOL PVB Interlayer	
3	1/8" Heat-Strengthened Glass	
4	1/4" INSULATED AIR SPACE	
5	1/8" TEMPERED GLASS	

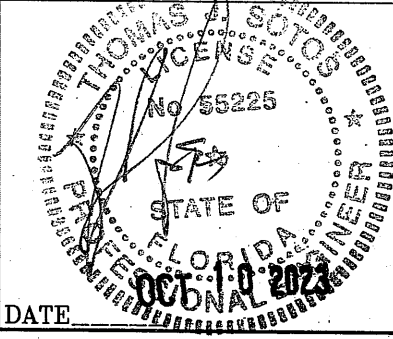


FRAME INSTALLATION OPTIONAL DETAILS



HINGE ASSEMBLY DETAIL #FD-624-2

THOMAS J. SOTOS
PROFESSIONAL ENGINEER
FL LIC. # 55225



Revision Notes:

- D) Ashland Multi-Point Lock 01/27/11
- E) Revised to comply w/ 2010 FBC
- F) Revised to comply w/ 2014 FBC
- G) Revised to comply w/ 2017 FBC
- H) Revised to comply w/ 2020 FBC
- I) Revised to comply w/ 2023 FBC

Revised By: Nelson Erazo Date Checked: 11/01/17

Drawn By: Nelson Erazo Date Drawn: 10/06/23

Scale: n.t.s.

LAWSON INDUSTRIES, INC.

MANUFACTURER OF QUALITY ALUMINUM WINDOWS AND GLASS DOORS

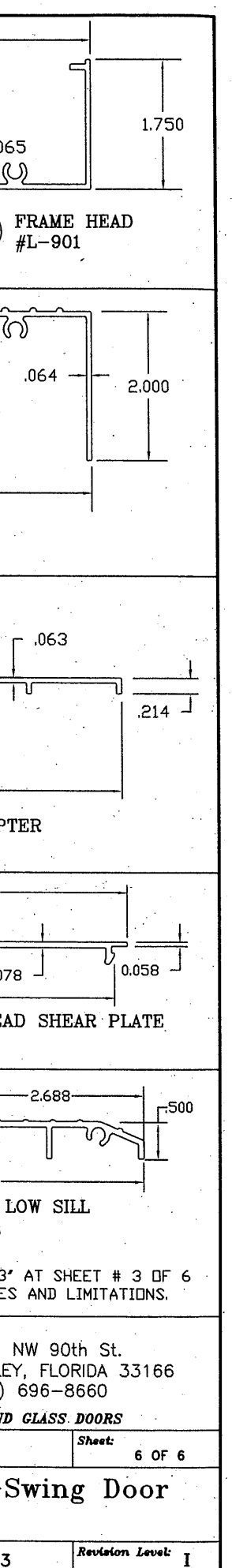
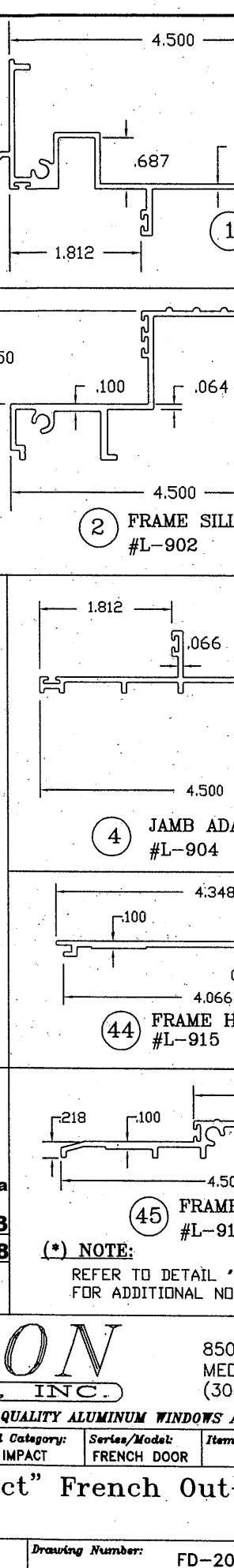
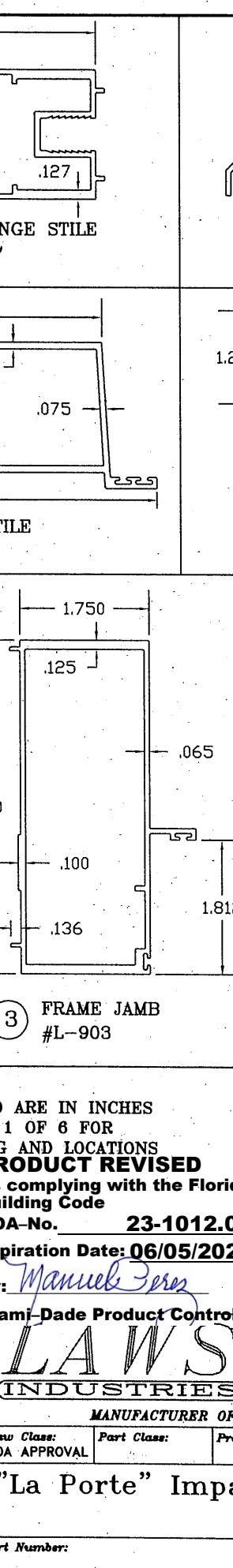
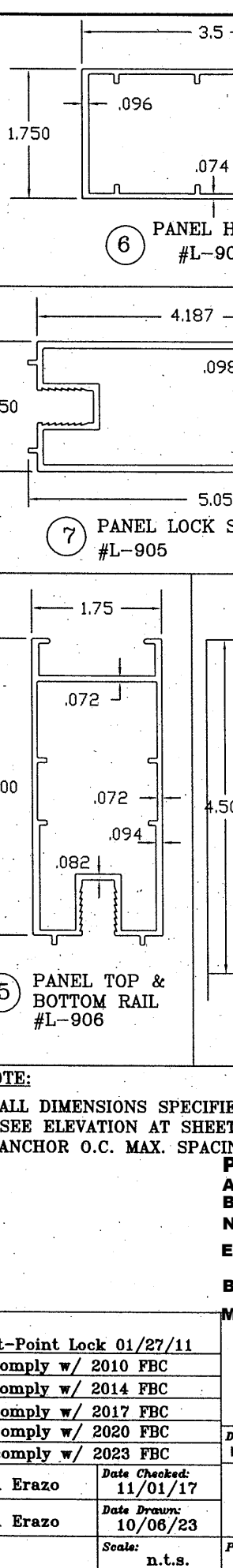
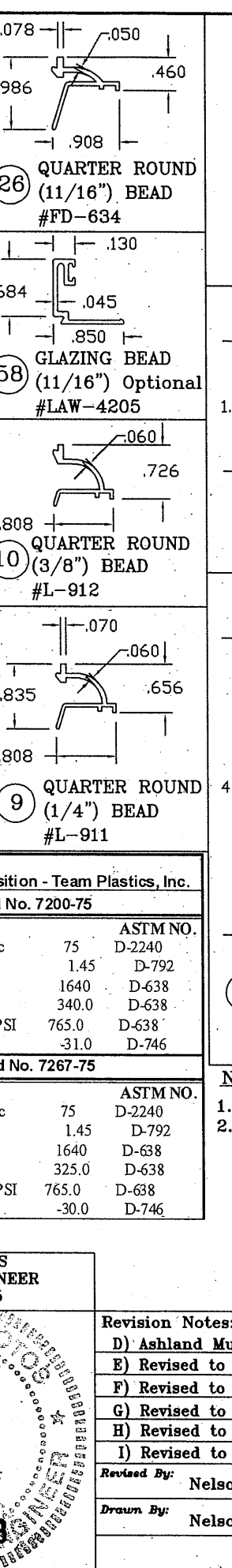
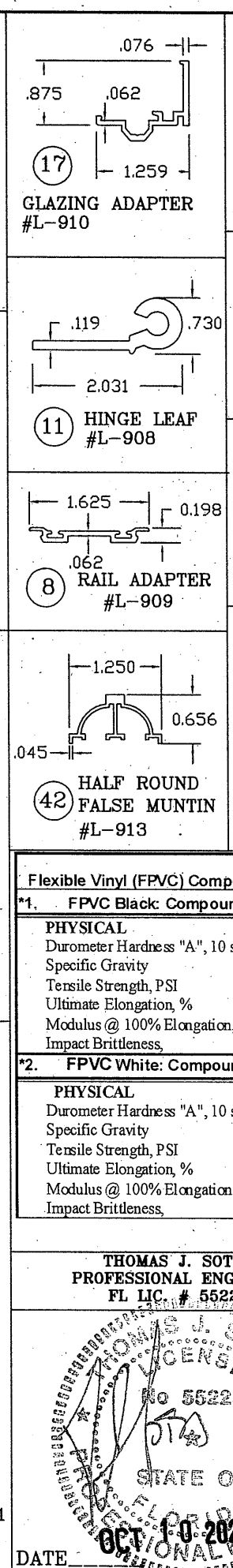
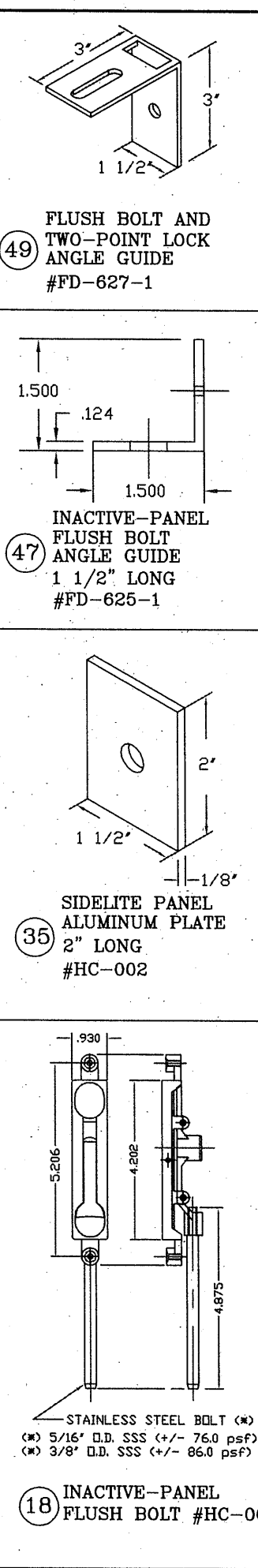
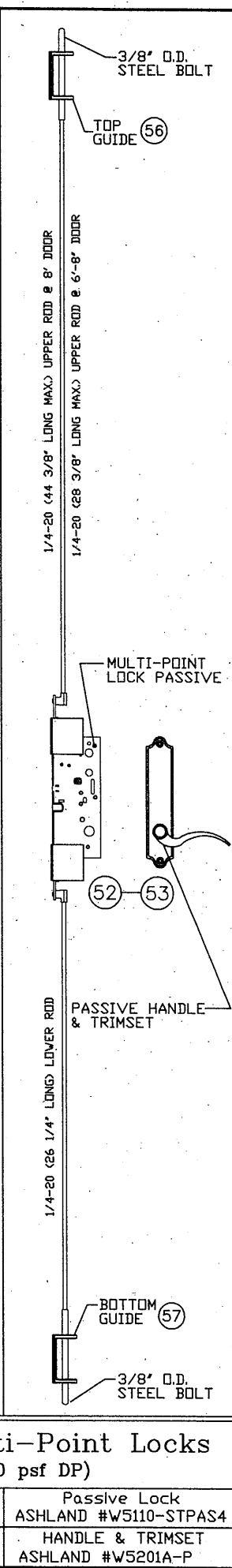
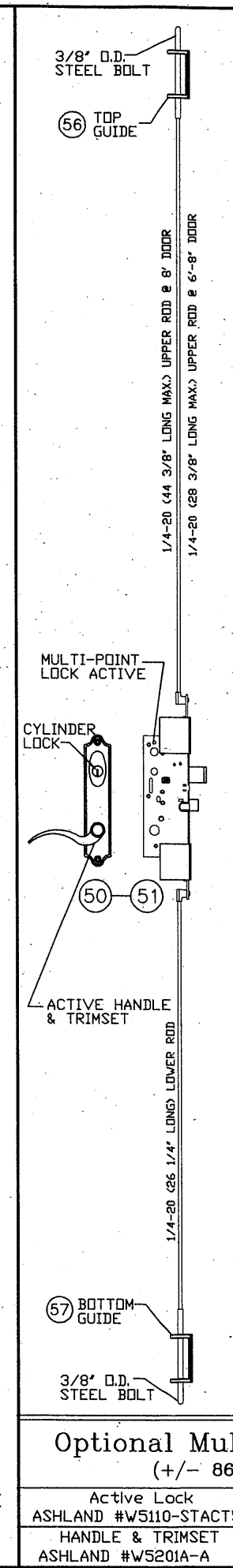
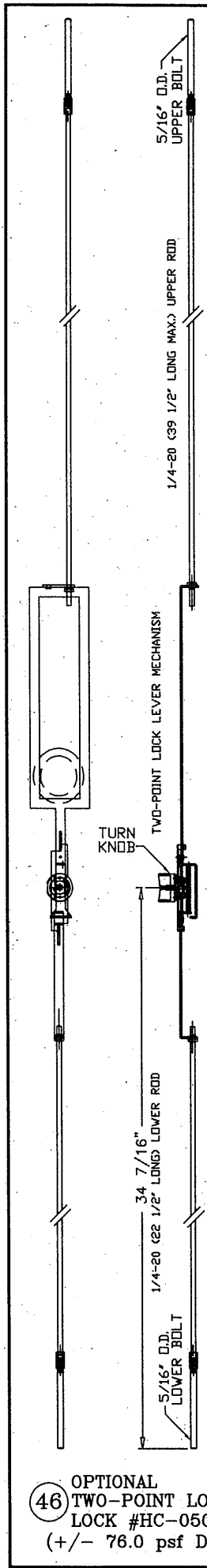
8501 NW 90th St.
MEDLEY, FLORIDA 33166
(305) 696-8660

Draw Class: NOA APPROVAL Part Class: Prod Category: IMPACT Series/Model: FRENCH DOOR Item: Sheet: 5 OF 6

"La Porte" Impact" French Out-Swing Door

Part Number: Drawing Number: FD-2003 Revision Level: I

PRODUCT REVISED
As complying with the Florida Building Code
NOA-No. 23-1012.03
Expiration Date: 06/05/2028
By: Manuel Perez
Miami-Dade Product Control



OPTIONAL
46 TWO-POINT LOCK
LOCK #HC-050
(+/- 76.0 psf DP)

Optional Multi-Point Locks
(+/- 86.0 psf DP)

Active Lock
ASHLAND #W5110-STACT5
HANDLE & TRIMSET
ASHLAND #W5201A-A

Passive Lock
ASHLAND #W5110-STPAS4
HANDLE & TRIMSET
ASHLAND #W5201A-P

47 INACTIVE-PANEL
FLUSH BOLT
#FD-625-1

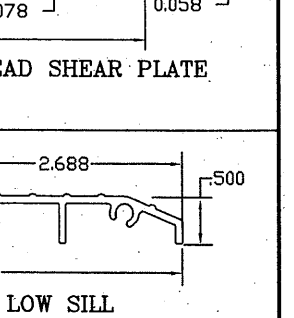
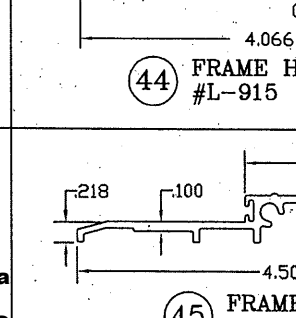
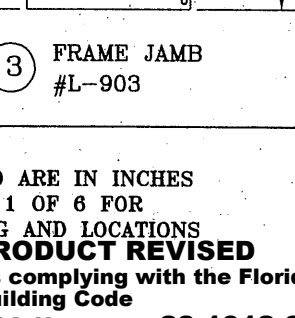
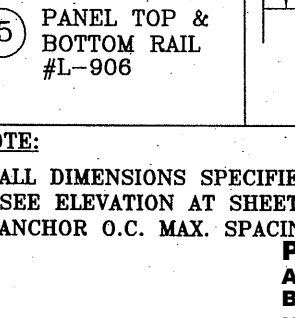
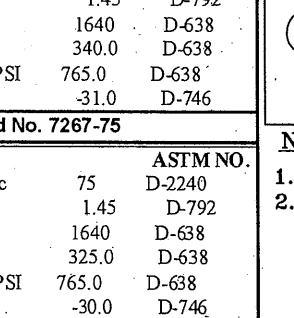
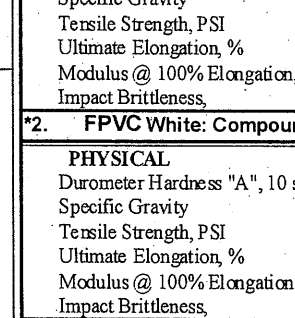
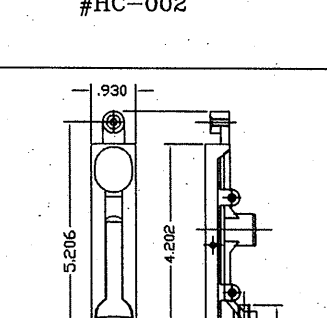
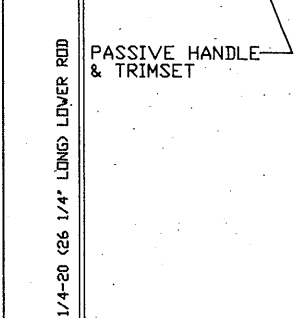
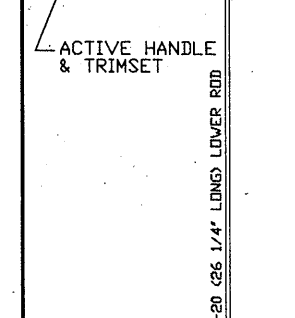
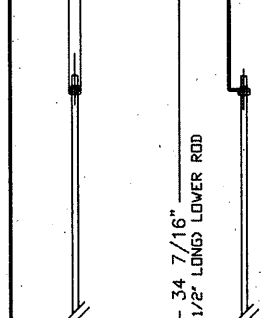
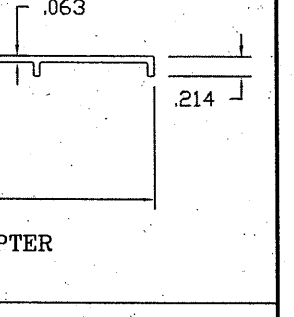
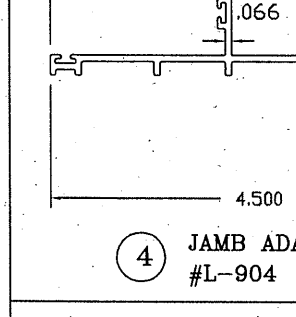
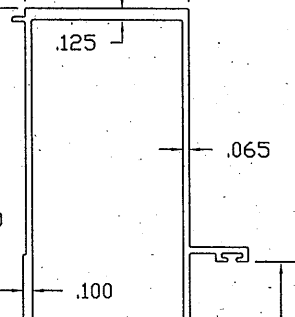
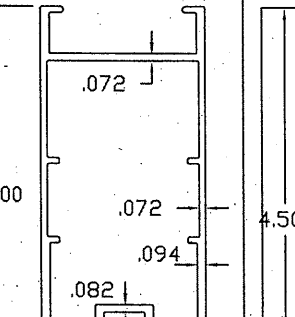
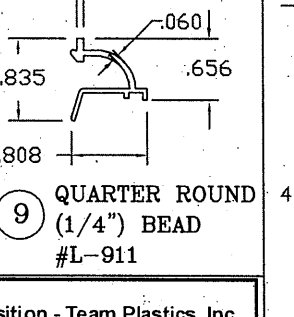
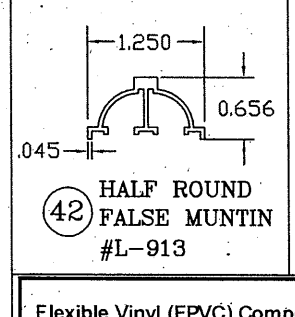
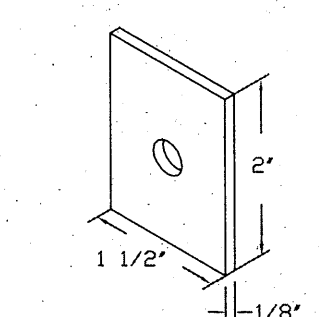
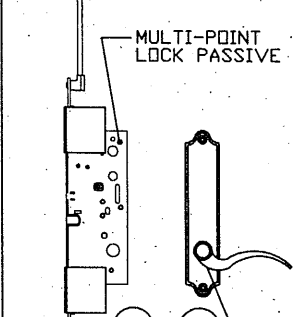
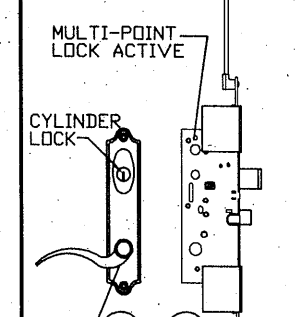
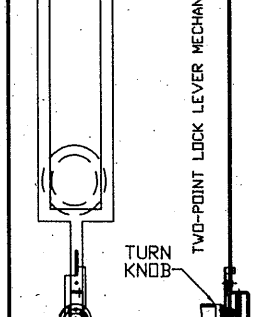
49 FLUSH BOLT AND
TWO-POINT LOCK
ANGLE GUIDE
#FD-627-1

8 RAIL ADAPTER
#L-909

11 HINGE LEAF
#L-908

17 GLAZING ADAPTER
#L-910

26 QUARTER ROUND
(11/16\"/>



Flexible Vinyl (FPVC) Composition - Team Plastics, Inc.

*1. FPVC Black: Compound No. 7200-75		
PHYSICAL		ASTM NO.
Durometer Hardness "A", 10 sec	75	D-2240
Specific Gravity	1.45	D-792
Tensile Strength, PSI	1640	D-638
Ultimate Elongation, %	340.0	D-638
Modulus @ 100% Elongation, PSI	765.0	D-638
Impact Brittleness,	-31.0	D-746

*2. FPVC White: Compound No. 7267-75		
PHYSICAL		ASTM NO.
Durometer Hardness "A", 10 sec	75	D-2240
Specific Gravity	1.45	D-792
Tensile Strength, PSI	1640	D-638
Ultimate Elongation, %	325.0	D-638
Modulus @ 100% Elongation, PSI	765.0	D-638
Impact Brittleness,	-30.0	D-746

THOMAS J. SOTOS
PROFESSIONAL ENGINEER
FL LIC. # 55225

DATE: OCT 10 2023

Revision Notes:

D) Ashland Multi-Point Lock 01/27/11
E) Revised to comply w/ 2010 FBC
F) Revised to comply w/ 2014 FBC
G) Revised to comply w/ 2017 FBC
H) Revised to comply w/ 2020 FBC
I) Revised to comply w/ 2023 FBC

Revised By: Nelson Erazo Date Checked: 11/01/17

Drawn By: Nelson Erazo Date Drawn: 10/06/23

Scale: n.t.s.

NOTE:
1. ALL DIMENSIONS SPECIFIED ARE IN INCHES
2. SEE ELEVATION AT SHEET 1 OF 6 FOR ANCHOR O.C. MAX. SPACING AND LOCATIONS

PRODUCT REVISED
As complying with the Florida Building Code
NOA-No. 23-1012.03
Expiration Date: 06/05/2028

By: Manuel Perez

Miami-Dade Product Control

LAWSON INDUSTRIES, INC.

MANUFACTURER OF QUALITY ALUMINUM WINDOWS AND GLASS DOORS

8501 NW 90th St.
MEDLEY, FLORIDA 33166
(305) 696-8660

Draw Class: NOA APPROVAL	Part Class:	Prod Category: IMPACT	Series/Model: FRENCH DOOR	Item:	Sheet: 6 OF 6
--------------------------	-------------	-----------------------	---------------------------	-------	---------------

"La Porte" Impact French Out-Swing Door

Part Number: Drawing Number: FD-2003 Revision Level: I