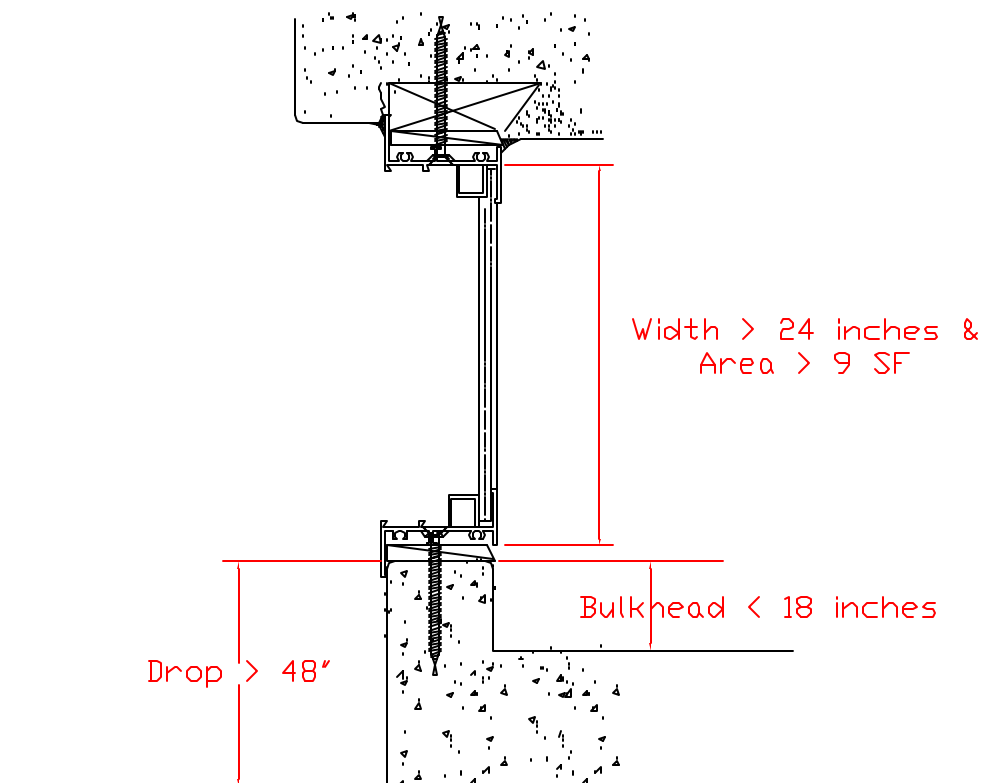
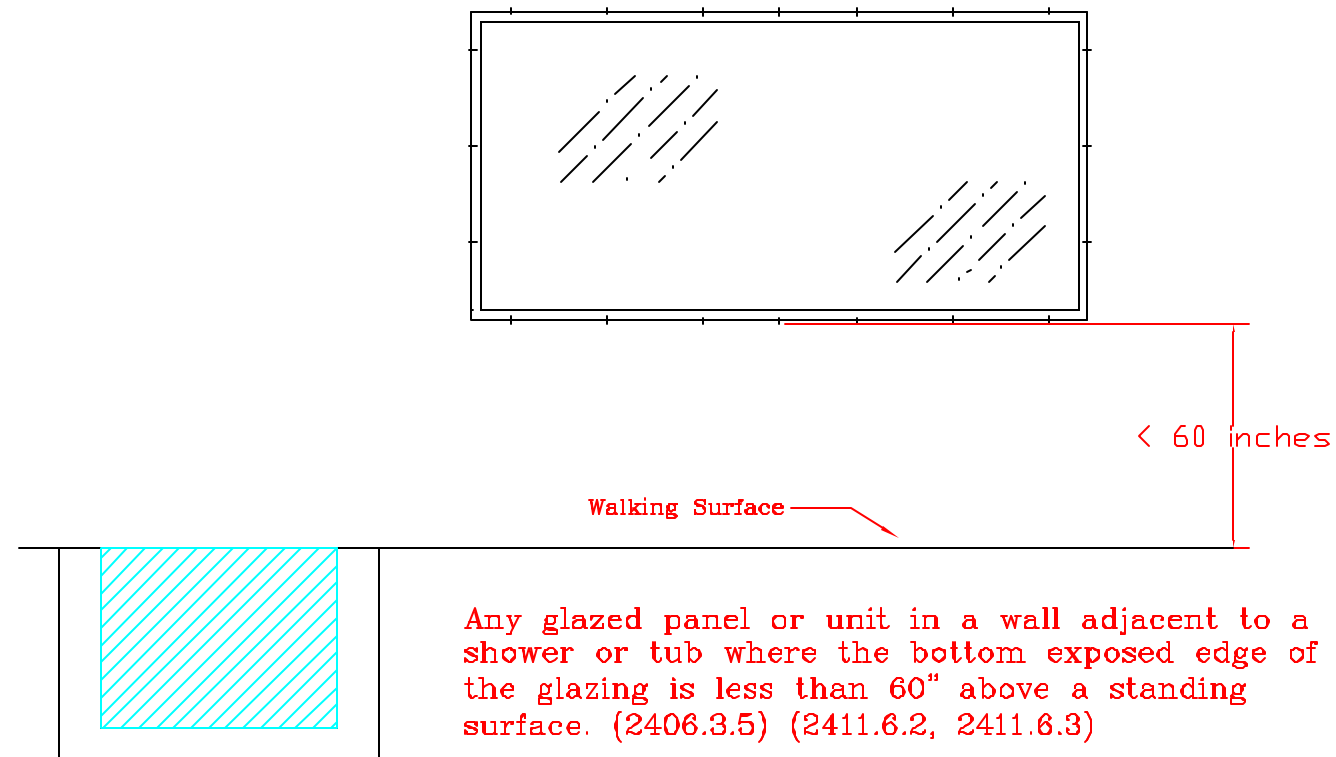


A



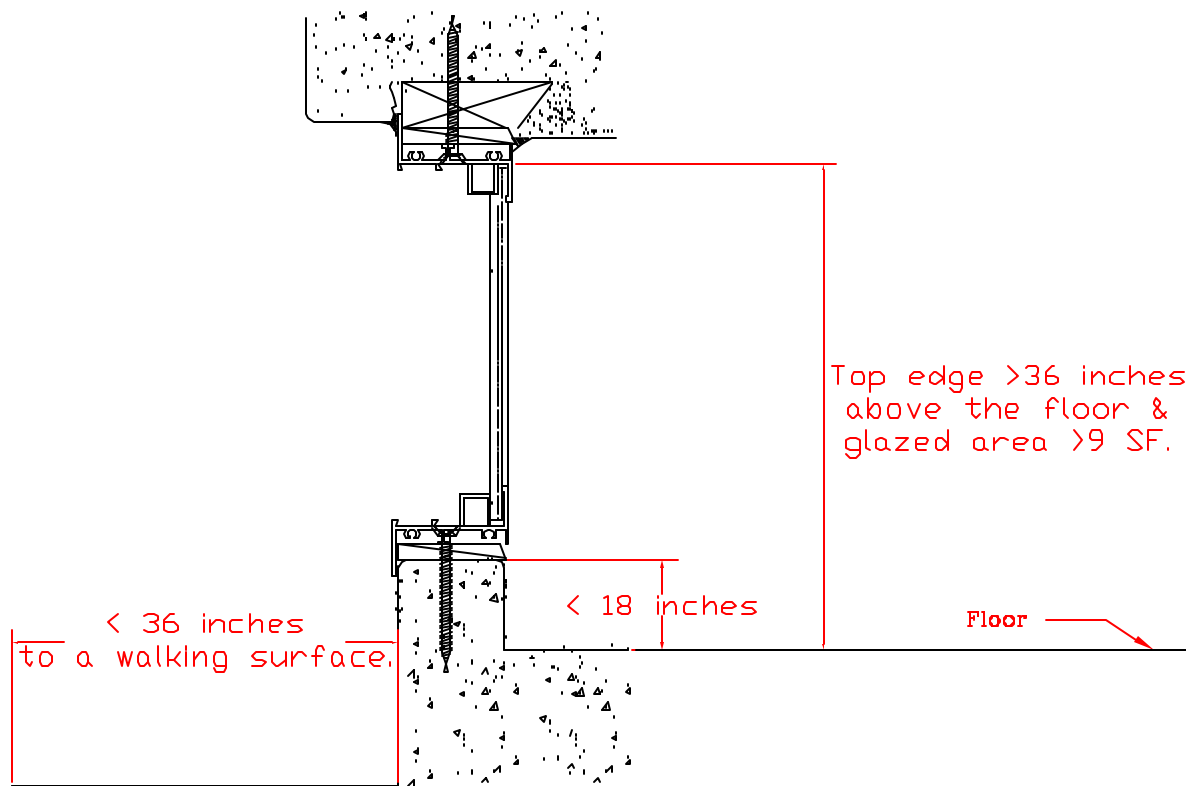
Any operable or non-operable glazed panel or unit in a wall. (2411.4.2)

B



Any glazed panel or unit in a wall adjacent to a shower or tub where the bottom exposed edge of the glazing is less than 60" above a standing surface. (2406.3.5) (2411.6.2, 2411.6.3)


C



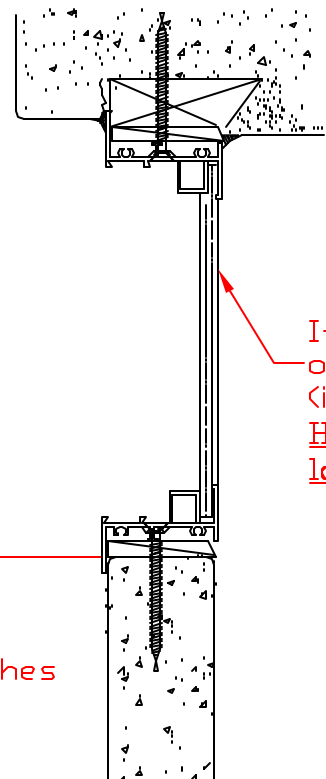
Any glazed unit containing all of the above conditions. (2406.3.7)

A glazed panel must be protected using one of the following:

- 1) Safety glazing conforming to 16-CFR-1201
- 2) Provide an 18" bulkhead
- 3) A single horizontal bar of handrail strength
- 4) A planter not less than 18" high through upper level

Revision Notes		 MANUFACTURERS OF WINDOWS & DOORS (305) 696-8660												
Drawn By	TOM SOTOS	Date Drawn	08-8-06	Draw Class	LAYOUT	Part Class	Prod Category	P.W.	Series/Model	8000	Item	TBST	Sheet	1 of 1
Revised By:		Date Revised:		HAZARDOUS LOCATIONS SAFETY GLAZING IS REQUIRED FBC 2004 CODE CONDITIONS										
Reference:		Scale:	FULL SIZE	Part Number:		Drawing Number:		Revision Level:						

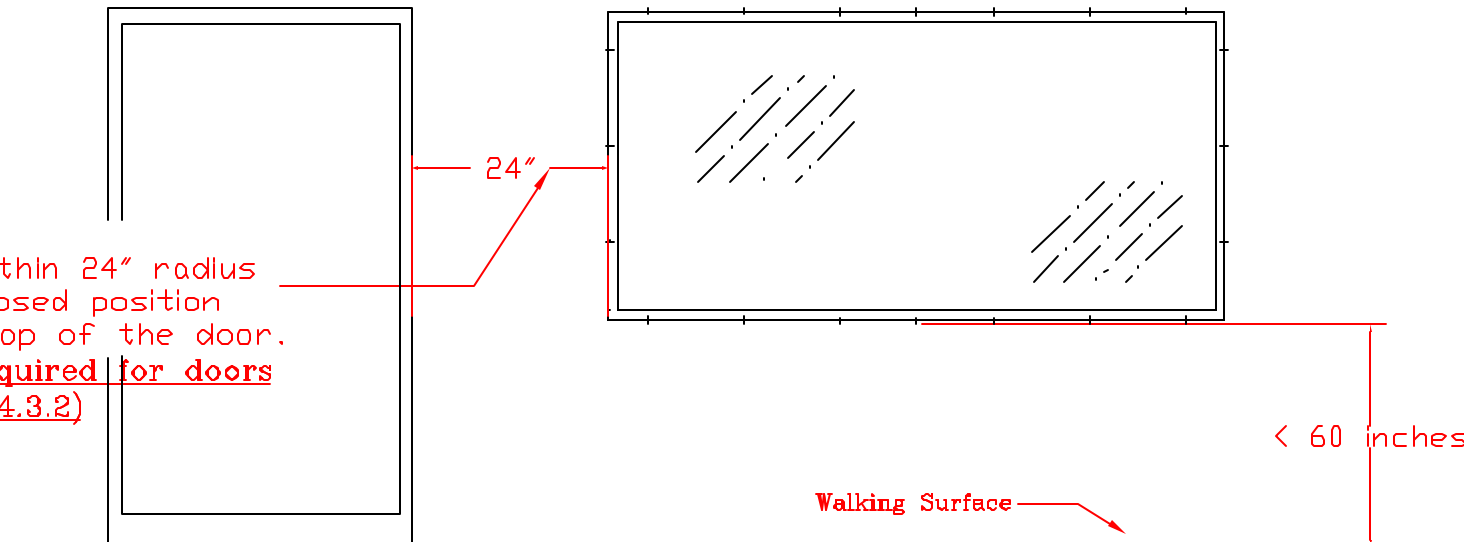
D1



< 60 inches

Walking Surface

D2



24"

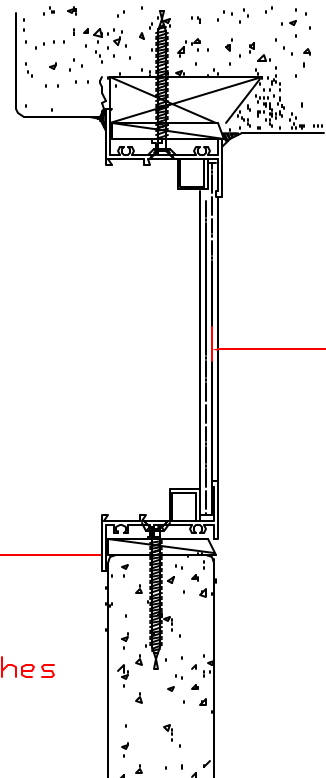
< 60 inches

Walking Surface

If this panel or unit is within 24" radius of an operable door in closed position (in plane) and below the top of the door. However a 48" radius is required for doors located in the HVHZ. (2411.4.3.2)

Fixed or operable panel adjacent to a door (2406.3.6) (2411.4.3.2)

E



< 60 inches


Walking Surface

< 60 inches

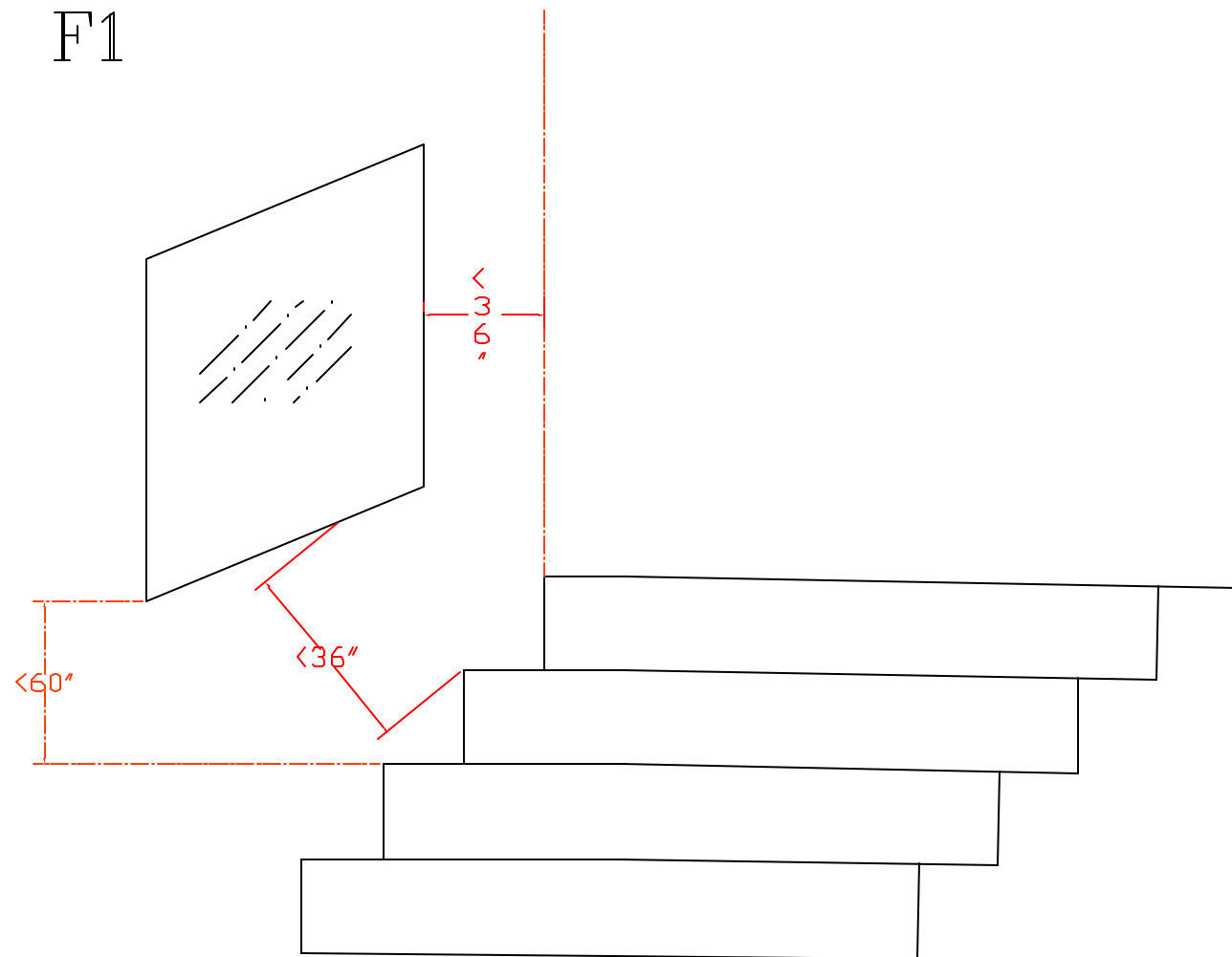
Within 60" of a pool or spa (2406.3.9.1 & 9.2)

A glazed panel must be protected using one of the following:

- 1) Safety glazing conforming to 16-CFR-1201
- 2) Provide an 18" bulkhead
- 3) A single horizontal bar of handrail strength
- 4) A planter not less than 18" high through upper level

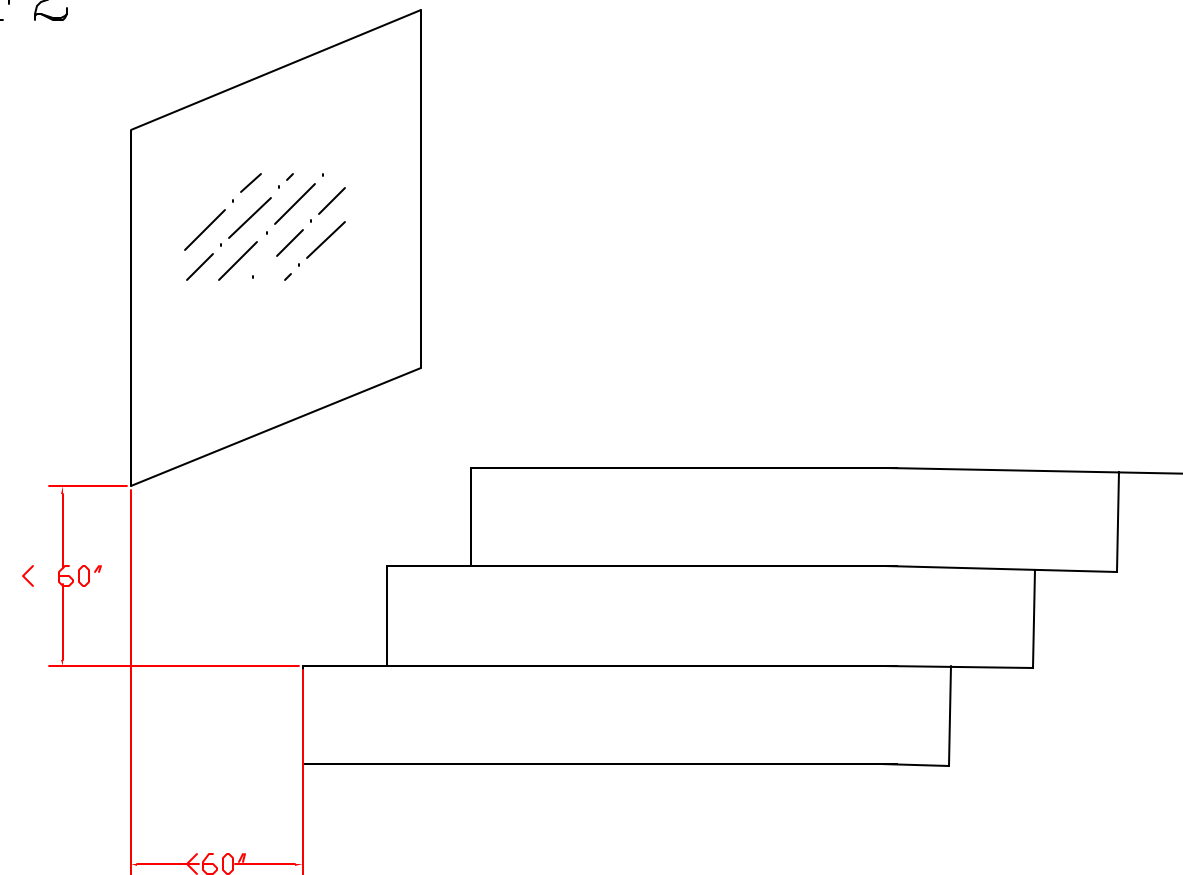
Revision Notes		 MANUFACTURERS OF WINDOWS & DOORS (305) 696-8660					
		Draw Class	Part Class	Prod Category	Series/Model	Item	Sheet
		LAYOUT		P.W.	8000	TBST	1 of 2
Drawn By	Date Drawn	HAZARDOUS LOCATIONS SAFETY GLAZING IS REQUIRED FBC 2004 CODE CONDITIONS					
TOM SOTOS	08-8-06						
Revised By	Date Revised						
		Scale	Part Number	Drawing Number	Revision Level		
		FULL SIZE					

F1



Glazing adjacent to a stairway, ramp or landing within 36" of a walking surface, when the exposed surface of the glass is less than 60" above the plane of the adjacent walking surface. (2406.3.1.0)


F2



Glazing adjacent to a stairway within 60" horizontally of a bottom tread of the stairway in any direction, when the exposed surface of the glass is less than 60" above the nose of the tread. (2406.11)

A glazed panel must be protected using one of the following:

- 1) Safety glazing conforming to 16-CFR-1201
- 2) Provide an 18" bulkhead
- 3) A single horizontal bar of handrail strength
- 4) A planter not less than 18" high through upper level

<i>Revision Notes</i>		 MANUFACTURERS OF WINDOWS & DOORS (305) 696-8660											
<i>Drawn By</i>	TOM SOTOS	<i>Date Drawn</i>	08-8-06	<i>Draw Class</i>	LAYOUT	<i>Part Class</i>	P.W.	<i>Prod Category</i>	8000	<i>Series/Model</i>	TB8T	<i>Item</i>	1 of 3
<i>Revised By</i>		<i>Date Revised</i>		HAZARDOUS LOCATIONS SAFETY GLAZING IS REQUIRED FBC 2004 CODE CONDITIONS				<i>Revision Level</i>					
<i>References</i>		<i>Scale</i>	FULL SIZE					<i>Part Number</i>		<i>Drawing Number</i>			