

**LAWSON**  
INDUSTRIES, INC.

MANUFACTURER OF QUALITY ALUMINUM WINDOWS AND GLASS DOORS

[www.lawson-industries.com](http://www.lawson-industries.com)

8501 N.W. 90 ST.  
MEDLEY, FLORIDA 33166  
PH No. (305) 696-8660

T.J. Sotos 8/28/2014

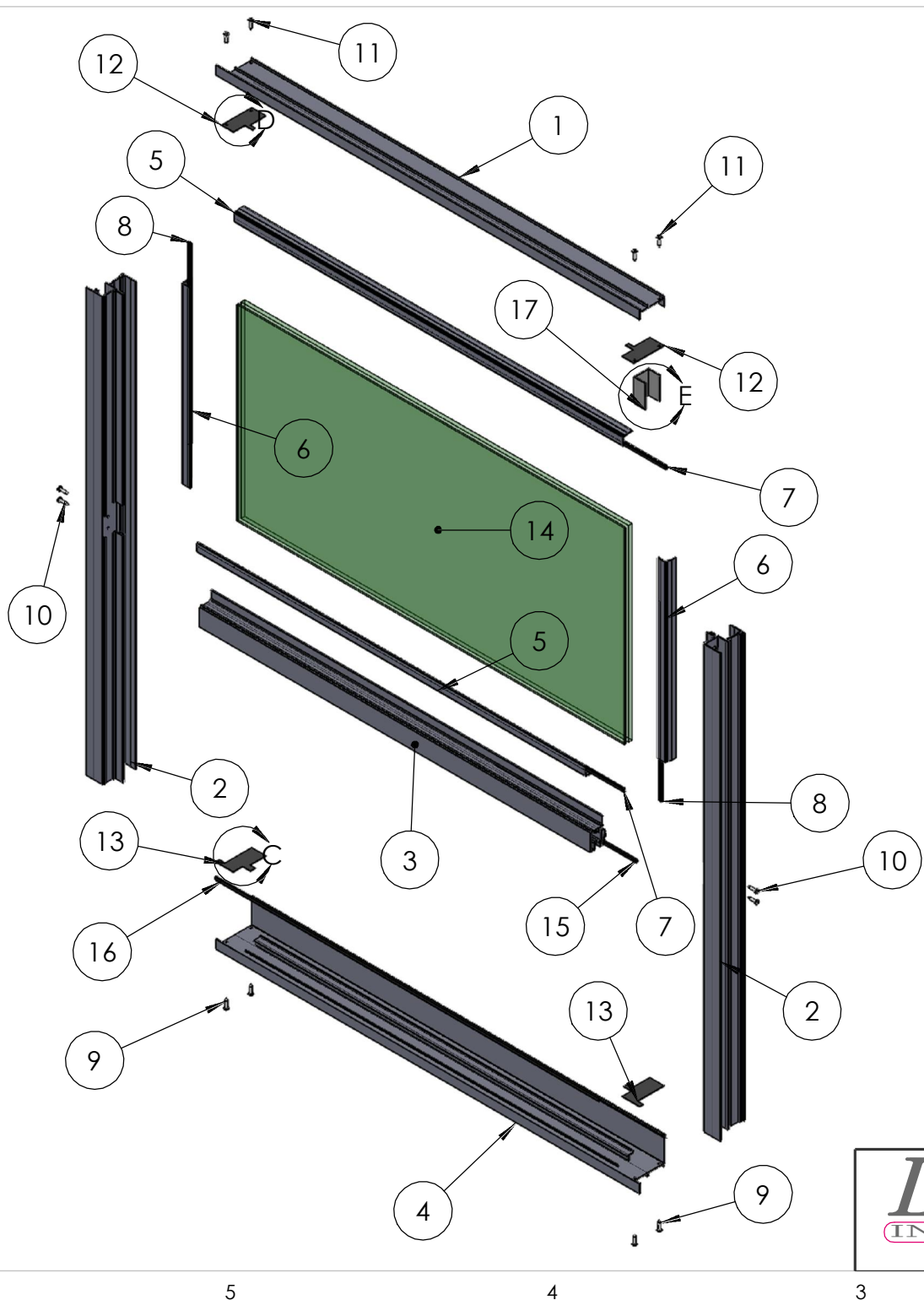
5

4

3

2

1



# 7700 SH FRAME ASSEMBLY

## ALUMINUM SINGLE HUNG WINDOW

| ITEM | FRAME PART LIST                    | QTY |
|------|------------------------------------|-----|
| 1    | Frame Head                         | 1   |
| 2    | Frame Jamb                         | 2   |
| 3    | Fixed Meeting Rail                 | 1   |
| 4    | Frame Sill                         | 1   |
| 5    | Top & Bottom Glazing Beads         | 2   |
| 6    | Jamb Glazing Beads                 | 2   |
| 7    | 1/4" Diameter Bulb Vinyl # 3033    | 2   |
| 8    | 1/4" Diameter Bulb Vinyl # 3033    | 2   |
| 9    | Frame Sill Assembly Screws         | 4   |
| 10   | Fixed Meeting Rail Assembly Screws | 4   |
| 11   | Head Assembly Screws               | 4   |
| 12   | Head Gasket                        | 2   |
| 13   | Sill Gasket                        | 2   |
| 14   | Fixed Glass                        | 1   |
| 15   | 0.187 x 0.35 Fin Seal              | 1   |
| 16   | 0.187 x 0.31 Fin Seal              | 1   |
| 17   | Sash Stops                         | 2   |



Part 17  
Sash Stop



Part 13  
Sill Gasket

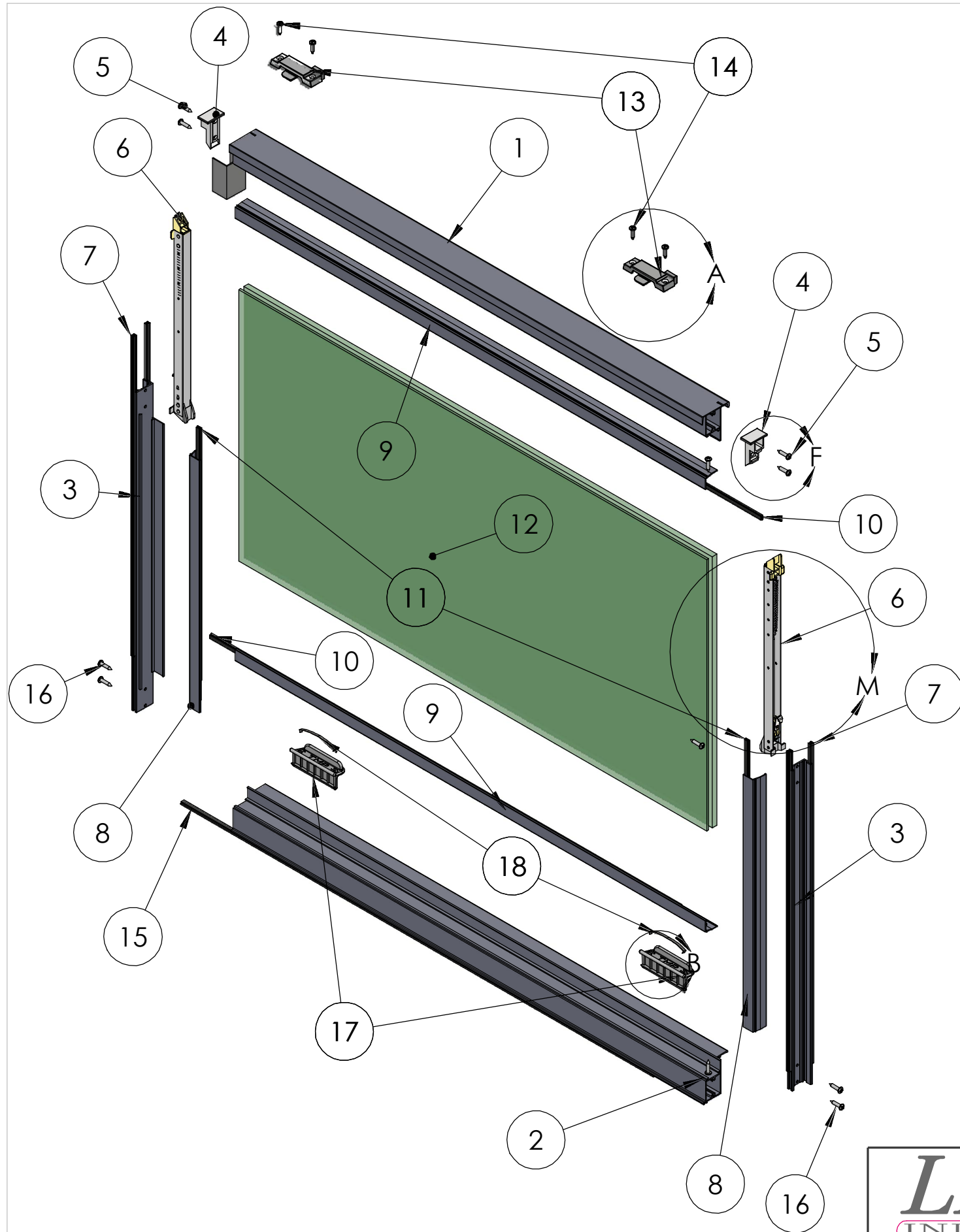


Part 12  
Head Gasket

**LAWSON**  
INDUSTRIES, INC.

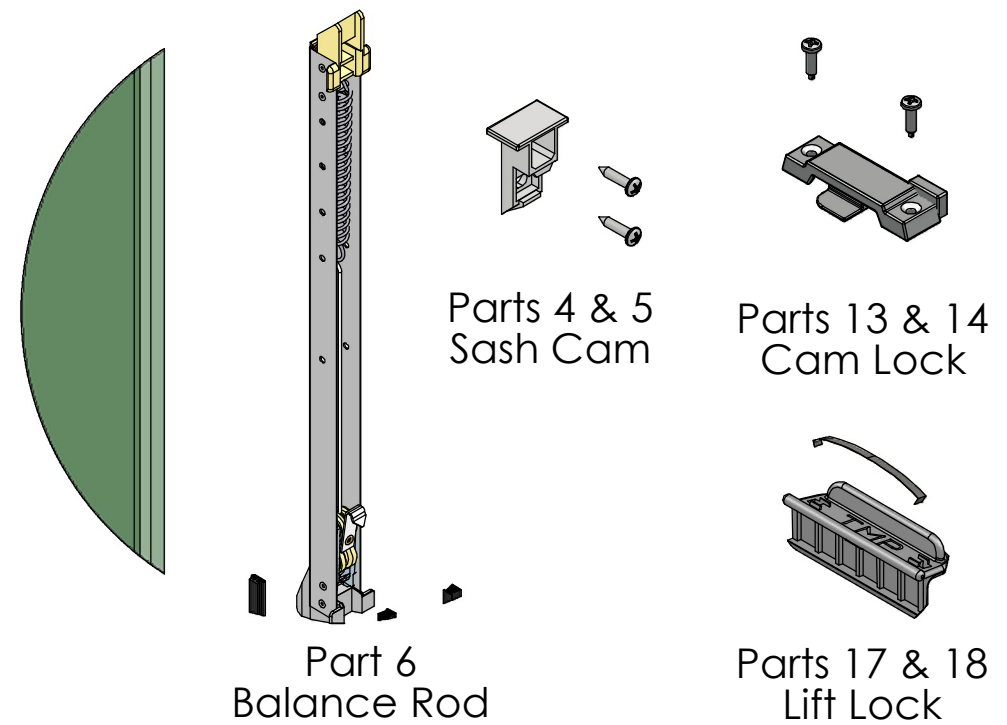
MANUFACTURER OF QUALITY ALUMINUM WINDOWS AND GLASS DOORS

[www.lawson-industries.com](http://www.lawson-industries.com)  
8501 N.W. 90 ST.  
MEDLEY, FLORIDA 33166  
PH No. (305) 696-8660  
T.J. Sotos  
8/28/2014



## 7700 SH SASH ASSEMBLY

| ALUMINUM SINGLE HUNG WINDOW |                                     |     |
|-----------------------------|-------------------------------------|-----|
| ITEM                        | SASH PART LIST                      | QTY |
| 1                           | Sash Top Rail                       | 1   |
| 2                           | Sash Bottom Rail                    | 1   |
| 3                           | Sash Jambs                          | 2   |
| 4                           | Sash Cams                           | 2   |
| 5                           | Sash Cam Assembly Screws            | 4   |
| 6                           | Balance Rod Assembly                | 2   |
| 7                           | Sash Jamb Weatherstripping          | 4   |
| 8                           | Sash Jamb Glazing Bead              | 2   |
| 9                           | Sash Top & Bottom Rail Glazing Bead | 2   |
| 10                          | 1/4" Diameter Bulb Vinyl # 3033     | 2   |
| 11                          | 1/4" Diameter Bulb Vinyl # 3033     | 2   |
| 12                          | Sash Glass                          | 1   |
| 13                          | Cam Lock Assembly (optional)        | 2   |
| 14                          | Cam Lock Assembly Screws (optional) | 4   |
| 15                          | 1/4" Diameter Bulb Vinyl # 3033     | 1   |
| 16                          | Sash Bottom Rail Assembly Screws    | 4   |
| 17                          | Lift Lock Assembly                  | 2   |
| 18                          | Lift Lock Spring                    | 2   |



**LAWSON**  
INDUSTRIES, INC.

MANUFACTURER OF QUALITY ALUMINUM WINDOWS AND GLASS DOORS

[www.lawson-industries.com](http://www.lawson-industries.com)

8501 N.W. 90 ST.  
MEDLEY, FLORIDA 33166  
PH No. (305) 696-8660

T.J. Sotos  
8/28/2014