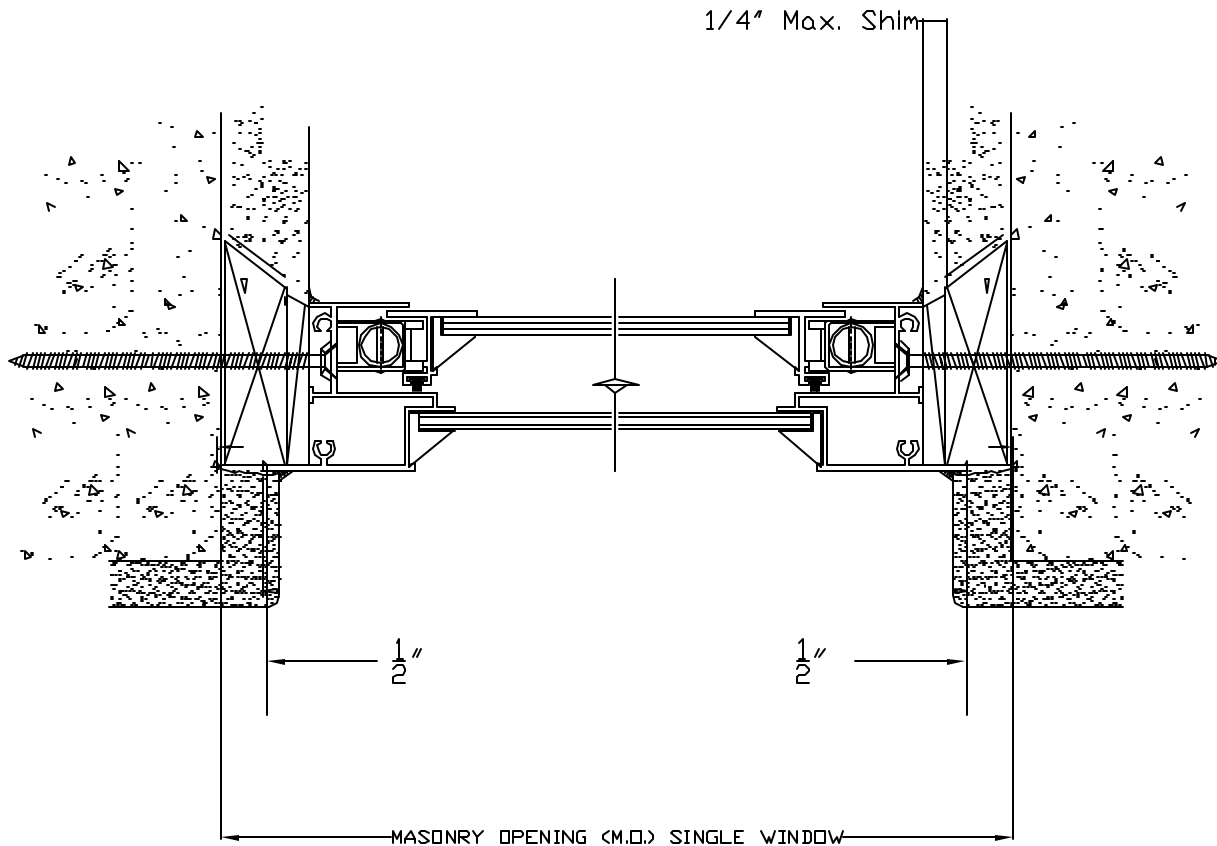
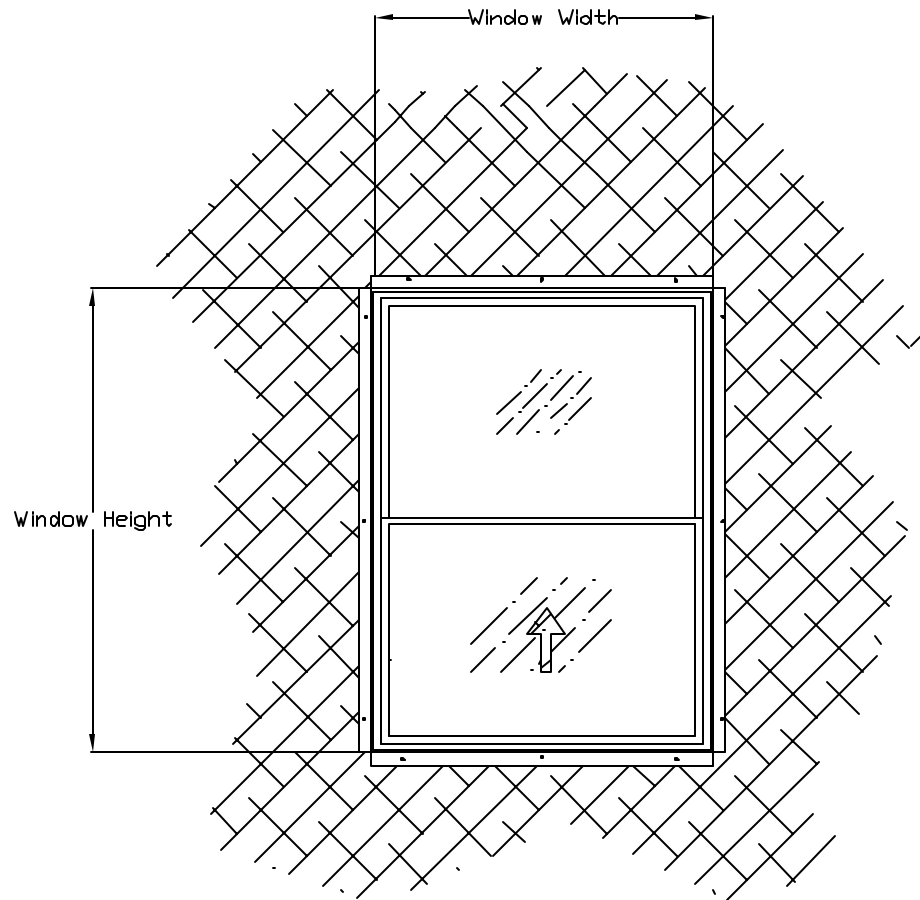


Widths below are calculated using Lawson standard 1" wide mulls.  
 1/16" has been added for EACH mull for 3 or more joined windows.  
 The chart is based upon using a 3/4" (0.75") thick buck.  
 The masonry opening height is the flange window height.

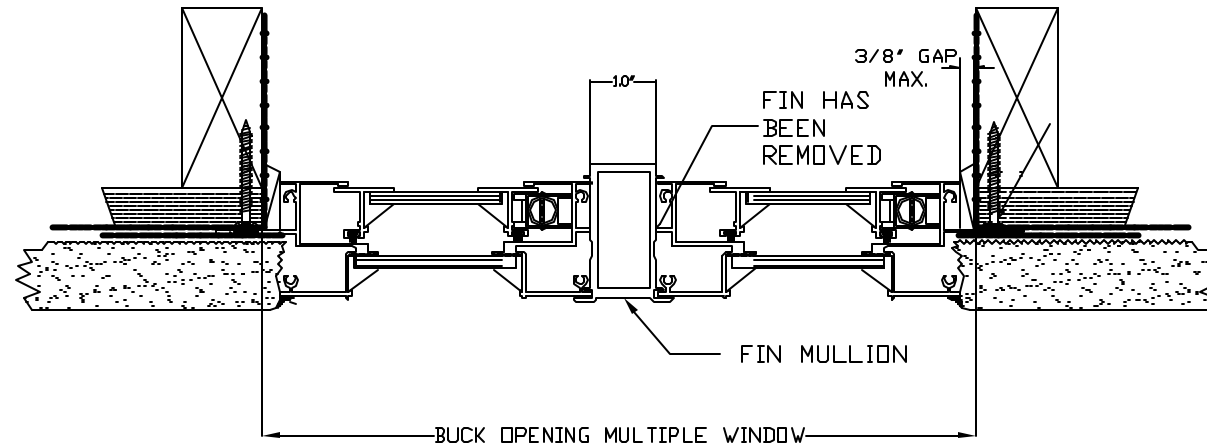


Window Size >	19 1/8	26 1/2	37	53 1/8
Quantity	1 Wide	1/2 Wide	2 Wide	3 Wide
1 Window	20 1/8	27 1/2	38	54 1/8
2 Windows	39 1/4	54	75	107 1/4
3 Windows	58 7/16	80 9/16	112 1/16	160 7/16
4 Windows	77 5/8	107 1/8	149 1/8	213 5/8
5 Windows	96 7/8	133	186 3/16	266 13/16
6 Windows	116	160 1/4	223 1/4	320

<b>Perimeter</b> 0.000 <b>Area</b> 0.000 <b>Wgt./Sq Ft</b> 0.000			<b>Material:</b> <b>Surface Area:</b> 0.000 <b>Est. Class:</b> 0.000			<b>Drain Class</b> 0.000 <b>Part Class</b> 0.000 <b>Prod. Category</b> 0.000 <b>Series/Model</b> 0.000 <b>Form</b> 0.000 <b>Shard</b> 0.000			<b>Revision</b> 0.000 <b>Date</b> 0.000 <b>Scale</b> 0.000			<b>Factor</b> 0.000 <b>CRD</b> 0.000 <b>Stake</b> 0.000			<b>Part Numbers</b> <b>Drawing Number</b> <b>Revision Level</b>		
									8501 N.W. 90 ST. MEDLEY, FLORIDA 33166 PH No. (305) 884-8880								
<b>MANUFACTURER OF QUALITY ALUMINUM WINDOWS AND GLASS DOORS</b>									<b>MASONRY OPENING WIDTHS FOR 7500 SINGLE HUNG FLANGE FRAME WINDOWS</b>								

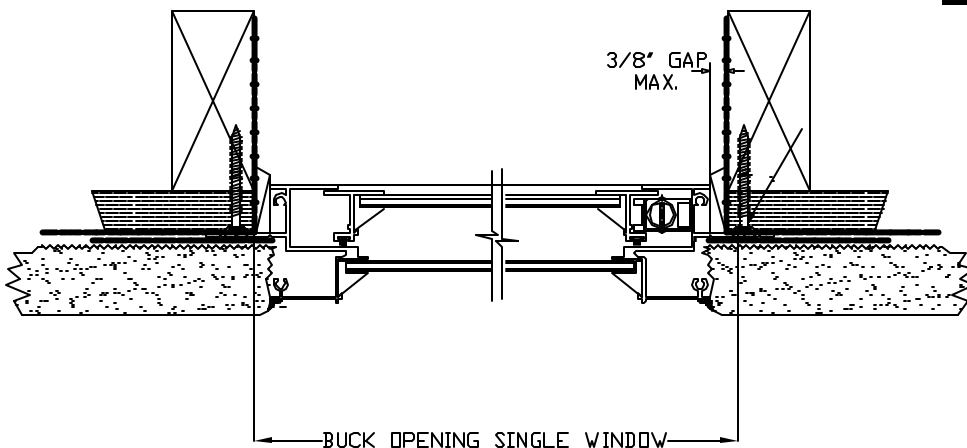


**ELEVATION**  
FIN FRAME S.H. WINDOW



Inside Window Size	18 1/16	25 1/2	36	52 1/8
<b>Quantity</b>	<b>1 Wide</b>	<b>1/2 Wide</b>	<b>2 Wide</b>	<b>3 Wide</b>
1 Window	18 5/8	26 3/4	36 1/2	52 5/8
2 Windows	37 3/4	52 1/2	73 1/2	105 3/4
3 Windows	57 15/16	79 1/16	110 9/16	158 15/16
4 Windows	76 1/8	105 5/8	147 5/8	212 1/8
5 Windows	95 5/16	132 3/16	184 11/16	265 5/16

Buck opening width for multiple windows joined with mull is +0" -1/8".  
 1/16" has been added for EACH mull for 3 or more joined windows.  
 Widths are calculated using Lawson standard 1" wide mulls.



<b>Revision Notes:</b> --- Per/Date: 0.000 0.000 0.000 Mod/Date: 0.000 0.000 0.000 In-# 0.000 Sp-# 0.000 C 0.000 Drawn By: --- Date Drawn: 06/01/08 Check By: --- Date Check: --- Factor: 000 CDR: 0.000 Scale: 1:1 Part Number: --- Drawing Number: --- Revision Level: ---					8501 N.W. 90 ST. MEDLEY, FLORIDA 33166 PH No. (305) 888-8880	
<b>MANUFACTURER OF QUALITY ALUMINUM WINDOWS AND GLASS DOORS</b>						
<b>WOOD OPENINGS FOR SINGLE HUNG FIN WINDOWS</b>						